

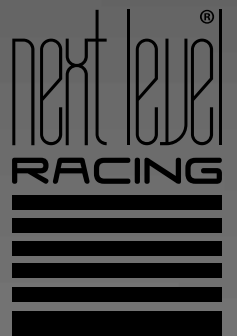
 **iRacing** Edition

# FST<sup>ELITE</sup>

## INSTRUCTION MANUAL

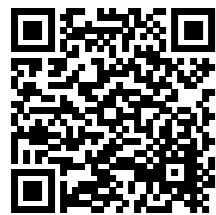


\*electronics not included



# YOUR SIM RACING JOURNEY STARTS HERE

We know you're eager to start racing! Take your time with the instructions and follow this guide to assemble your product. You'll be setting yourself up for success with following the instruction booklet to fully optimize your product.



[bit.ly/nlrbuild](https://bit.ly/nlrbuild)



**FOLLOW  
US**



@next\_level\_racing



@nextlevelracingOfficial



@nextlvlracing



Next Level Racing



support@nextlevelracing.com



Video Instruction: [bit.ly/nlrbuild](https://bit.ly/nlrbuild)

# FGT<sup>ELITE</sup>



## FREE 12 MONTHS IRACING<sup>®</sup> SUBSCRIPTION FOR NEW USERS



support@nextlevelracing.com



Video Instruction: bit.ly/nlrbuild

# PRE-RACE CHECKS

## WARNING

- Please do not use power tools for assembly as over tightening can damage your frame
- Please ensure T-Nuts are correctly placed within the extrusion
- Lay out and build the cockpit on a level surface
- Do not force parts together
- Avoid cross threading bolts
- If in doubt consult the installation video or contact us on support@nextlevelracing.com
- The F-GT Elite is a 2 person build

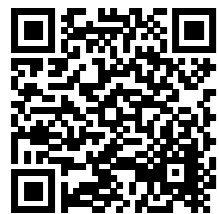


If you require any support with your product please contact our friendly team at: [support@nextlevelracing.com](mailto:support@nextlevelracing.com)



### WARNING

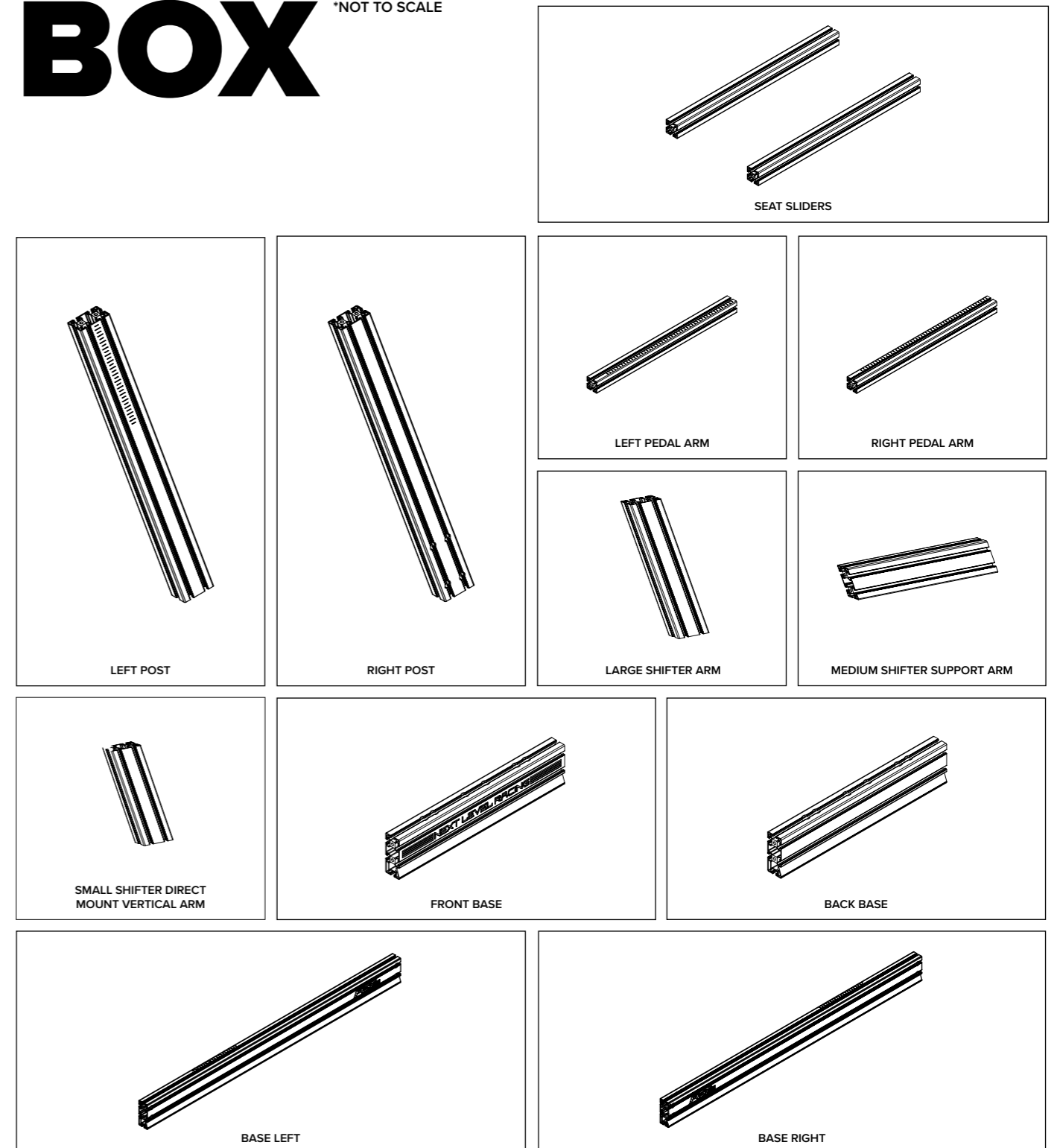
**CHOKING HAZARD** - Small parts not for children under 3 years or any individuals who have a tendency to place inedible objects in their mouths.



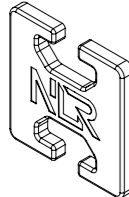

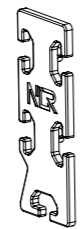
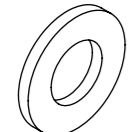
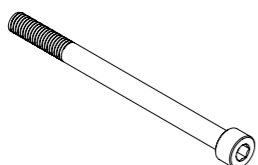
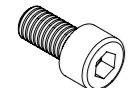
**ASSEMBLY VIDEO**

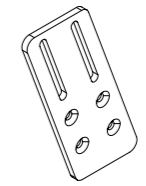
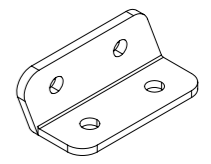
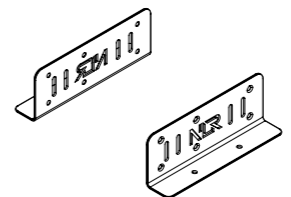
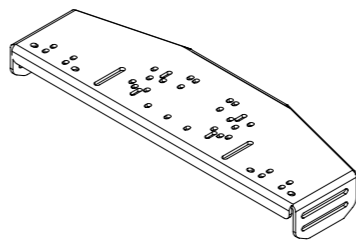
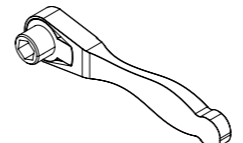
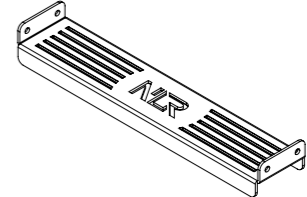
[bit.ly/nlrbuild](https://bit.ly/nlrbuild)

# IN THE BOX \*NOT TO SCALE





 5 X END CAP 40X40	 6 X END CAP ANGLED 40X80	 3 X END CAP LEFT 40X100	 3 X END CAP RIGHT 40X100
 64 X M8 16MM BOLT	 8 X M8 45MM BOLT	 8 X M8 35MM BOLT	 60 X M8 REGULAR T-SLOT NUT
 2 X M8 60MM BOLT	 16 X M8 16MM COUNTER SUNK BOLT 6 X M8 20MM COUNTER SUNK BOLT	 2 X M8 FLANGE NUT 8 X M6 FLANGE NUT	 24 X M8 FULL WIDTH T-SLOT NUT
 82 X M8 WASHER 16 X M6 WASHER	 12 X M8 110MM BOLT	 4 X ADJUSTABLE FEET	 4 X SEAT SLIDER RATCHET HANDLES
 16 X M6 15MM BOLT	 SEAT BRACKETS	 2 X PEDAL ADJUSTMENT FINS	 2 X PEDAL ARM BRACKETS

 2 X PEDAL PLATES	 4 X SEAT SLIDER TABS	 SHIFTER EXTENSION PLATE	 3 X SHIFTER MOUNTING CORNER BRACKETS
 SHIFTER PLATE	 MOTION V3 MOUNTING BRACKETS	 ALLEN KEYS	 PLASTIC KIT HOLDER
 WHEEL PLATE	 4 X 60X40MM FELT PAD 4 X 40X35MM FELT PAD	 TEE UPRIGHT BRACKET PLATES	
 RATCHET WRENCH	 SMALL LEVEL	 SAFETY STEP	 8 X PLASTIC CABLE CLIP
 4 90X10MM X FELT PAD (WHEEL DECK SIDE MOUNT)	 BUTT KICKER MOUNT POLE	 1 X SPANNER	 4 X NYLON WASHERS



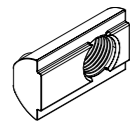


# ALUMINIUM EXTRUSION TIPS

- Please do not use power tools for assembly as over tightening can damage your frame
- Please ensure T-Nuts are correctly placed within the extrusion
- Lay out and build the cockpit on a level surface
- Do not force parts together
- Avoid cross threading bolts
- If in doubt consult the installation video or contact us at support@nextlevelracing.com
- The F-GT Elite is a two person build with the complete cockpit a two person move
- Beware of sharp edges on the extrusion pieces

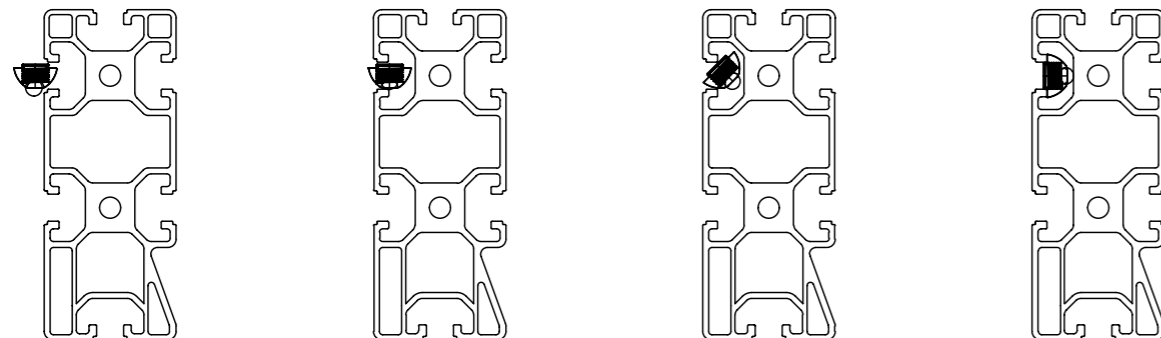
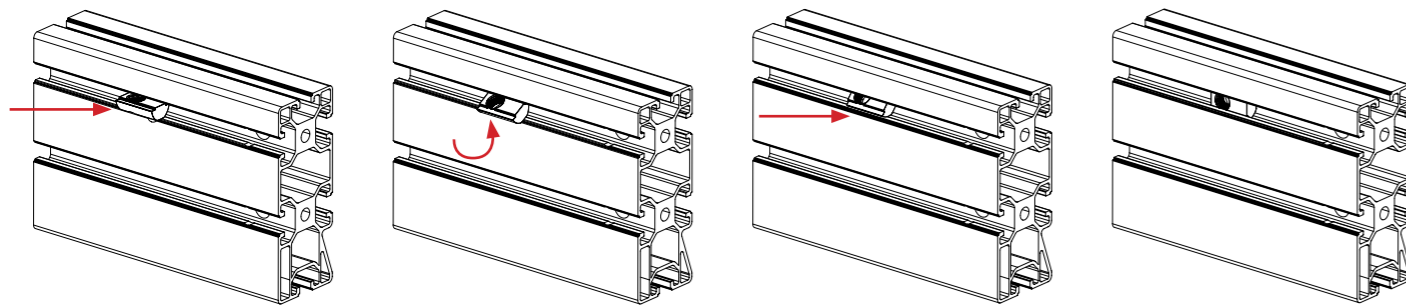
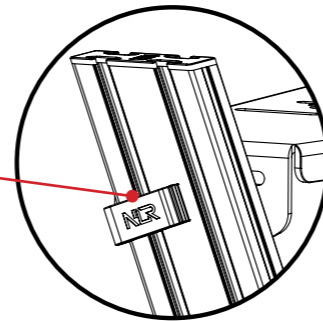
## HOW TO INSTALL A T-NUT (From Side)

(T-Nuts can also be installed from the end of an open channel)



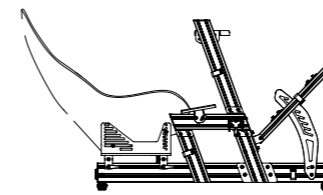
NORMAL T-SLOT NUT  
(Only normal T-Nuts can be installed from the side or ends)

Install cable clips at the location you would like them during the build. Leaving the installation of cable clips to the end can present installation issues. Depress the alignment tab at the back during installation.

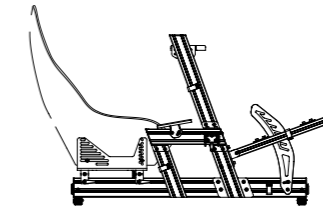


# ADJUSTMENT POINTS

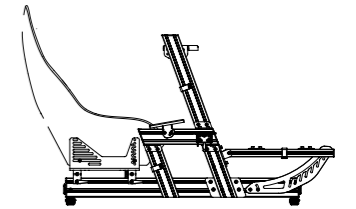
The F-GT Elite is fully adjustable from almost every attachment point making it great for all sized users whether that be in GT or Formula position. Use the level provided along with the adjustment markers on the frame to make sure you get the perfect alignment.



FORMULA POSITION



HYBRID POSITION



GT POSITION



ANGLE



HEIGHT



DISTANCE





**PARTS**  
8 X M8 full width T-nuts

**Note:** Slide 2 x T-Nuts to front.

**IMPORTANT:** Place T-Nuts as shown in diagram below on the **OUTSIDE** of left base (Red dots are T-Nut placement)

**Note:** Slide 2 x T-Nuts to front for pedal support

**Note:** Slide 4 x T-Nuts to middle for wheel post

**Optional note:** Slide 4 x T-Nuts to middle (choose shifter side)

**Note:** Slide 2 x T-Nuts to rear for seat sliders

**01a:** Slide T-Nuts in to the left outside channels on main base

**PARTS**  
12 X M8 full width T-nuts

**Note:** Slide 2 x T-Nuts to front.

**Note:** For easier install hand screw M8 bolt in to T-nut to assist sliding T-nut in to channel

**IMPORTANT:** Place T-Nuts as shown in diagram below on the **OUTSIDE** of right base (Red dots are T-Nut placement)

**Note:** Slide 2 x T-Nuts to rear for seat sliders

**Optional note:** Slide 4 x T-Nuts to middle (choose shifter side)

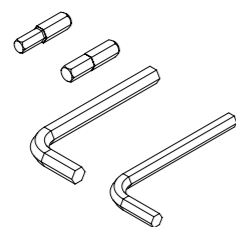
**Note:** Slide 4 x T-Nuts to middle for wheel post

**Note:** Slide 2 x T-Nuts to front for pedal support

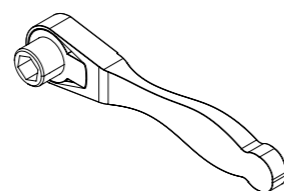
**01b:** Slide T-Nuts in to the right outside channels on main base



# \*RECOMMENDED TOOLS



ALLEN KEYS



RATCHET WRENCH

**Note:** Front piece has Next Level Racing Logo

**PARTS**  
4 X M8 45mm bolt  
4 X M8 Washer

**02:** Bolt front and back pieces to the base

**PARTS**  
4 X M8 45mm bolt  
4 X M8 Washer

**03:** Repeat step 2 on opposite side

**PARTS**  
4 X Adjustable feet  
4 X regular t-nut

**Note:** Height of the foot can be adjusted only when it's installed on to the cockpit

**Note:** Foot alignment tab should sit in the channel

**04:** Install feet

**05:** Slide T-nut in to bottom channel

**06:** Screw foot in to T-nut installed in step 5

**07:** Align tab on the foot inside the channel

**08:** Tighten screw inside the foot with Allen key to lock the height





**Note:** Recess holes to be on outside

**Note:** Parts are labelled for left and right side application

**PARTS**  
8 X M8 35mm bolt  
8 X M8 washer

**09:** Install corresponding "T" Plate on left and right vertical extrusions with laser engraved lines facing the plate inward

**PARTS**  
4 X M8 regular T-nut

**12:** Install T-Nuts to the inside channels of the wheel posts (red dots placement)

**Note:** Angle towards rear of cockpit like image shown

**PARTS**  
4 X M8 countersunk bolt

**10:** Bolt right post to the right base member using T-Nuts previously installed in step 1b

**PARTS**  
4 X M8 16mm bolt  
4 X M8 washer  
4 X sticky felt pads 10mm x 90mm

Felt pads

**Note:** Use level provided. Wheel plate must be kept flat and level during installation to avoid skewing.

**13:** Install felt pads (green) to wheel plate ends to avoid scratching when adjusting, then bolt the wheel plate to wheel posts using T-Nuts previously installed in step 12

**PARTS**  
4 X M8 countersunk bolt

**11:** Repeat step 10 on the opposite side

**PARTS**  
4 X regular t-nut

**14:** Install 2 x T-Nuts into front channel of the wheel post and repeat on other side (red dots placement)



**15:** Bolt pedal plate bracket to wheel post using T-Nuts previously installed in step 14

**PARTS**  
4 X M8 16mm bolt  
4 X M8 washer

**18:** Bolt pedal plates to the pedal arms with slots\* facing each other using T-Nuts previously installed on step 17

**PARTS**  
8 X M8 16mm bolt  
8 X M8 washer

**16:** Bolt through pedal arm brackets from step 15 with line markers facing up. Then install 2 x 40x40 NLR end caps

**Note:** Do not tighten the pedal bracket until you have your desired position

**PARTS**  
2 X M8 60mm bolt  
2 X M8 flange nut  
2 x M8 washer

**19:** Install 1 T-Nut into the inside channel of each pedal arm (red dots for T-nut placement)

**PARTS**  
2 X M8 regular t-nut

Repeat on other side

**17:** Install 4 x T-Nuts into the top channel of each pedal plate arm (red dots for T-nut placement)

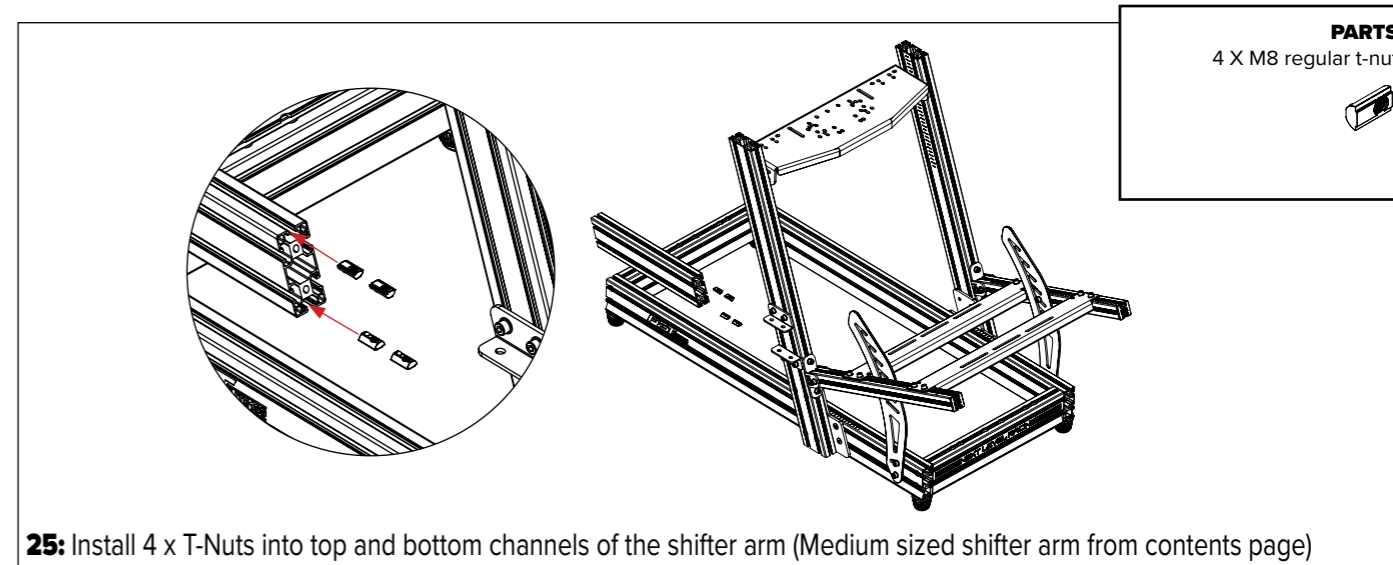
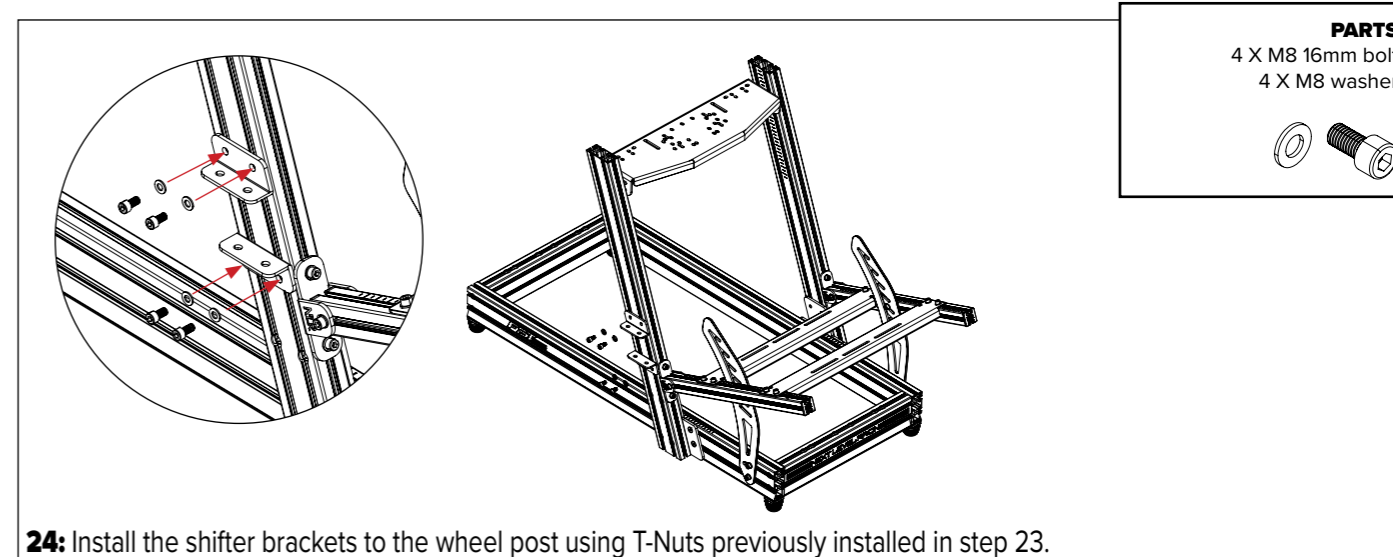
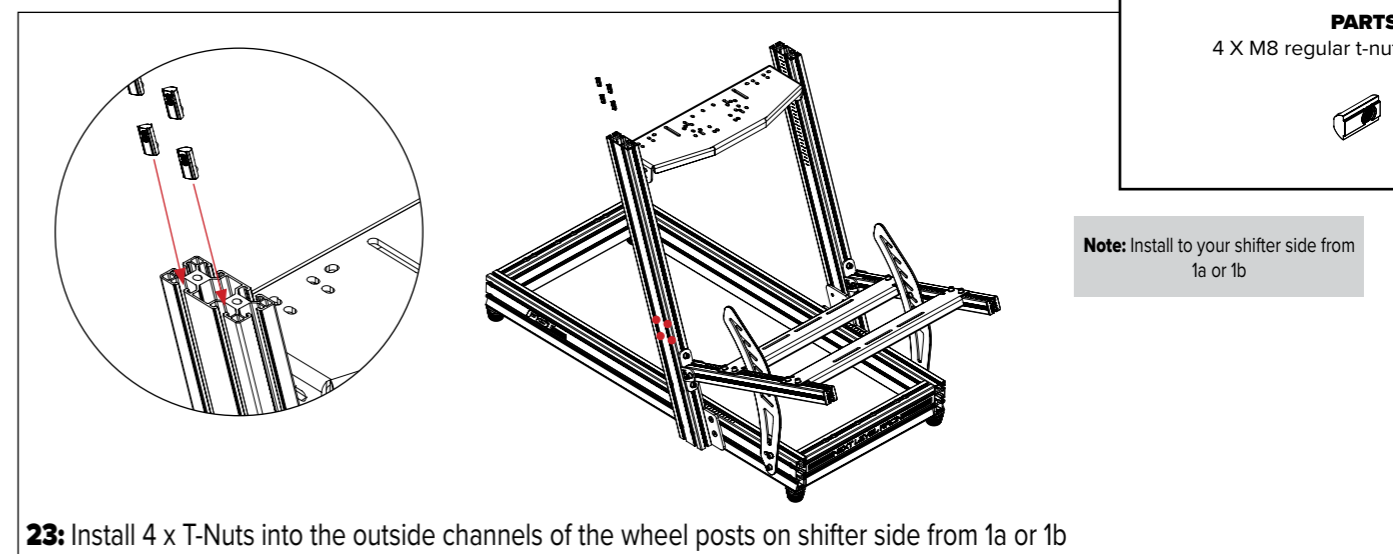
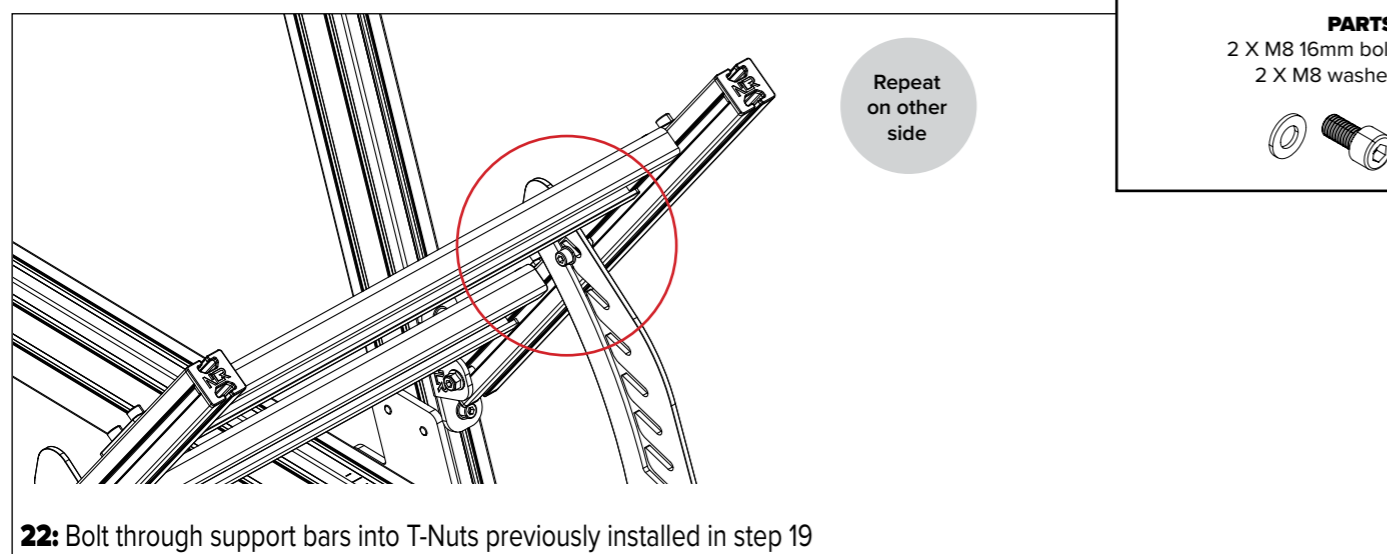
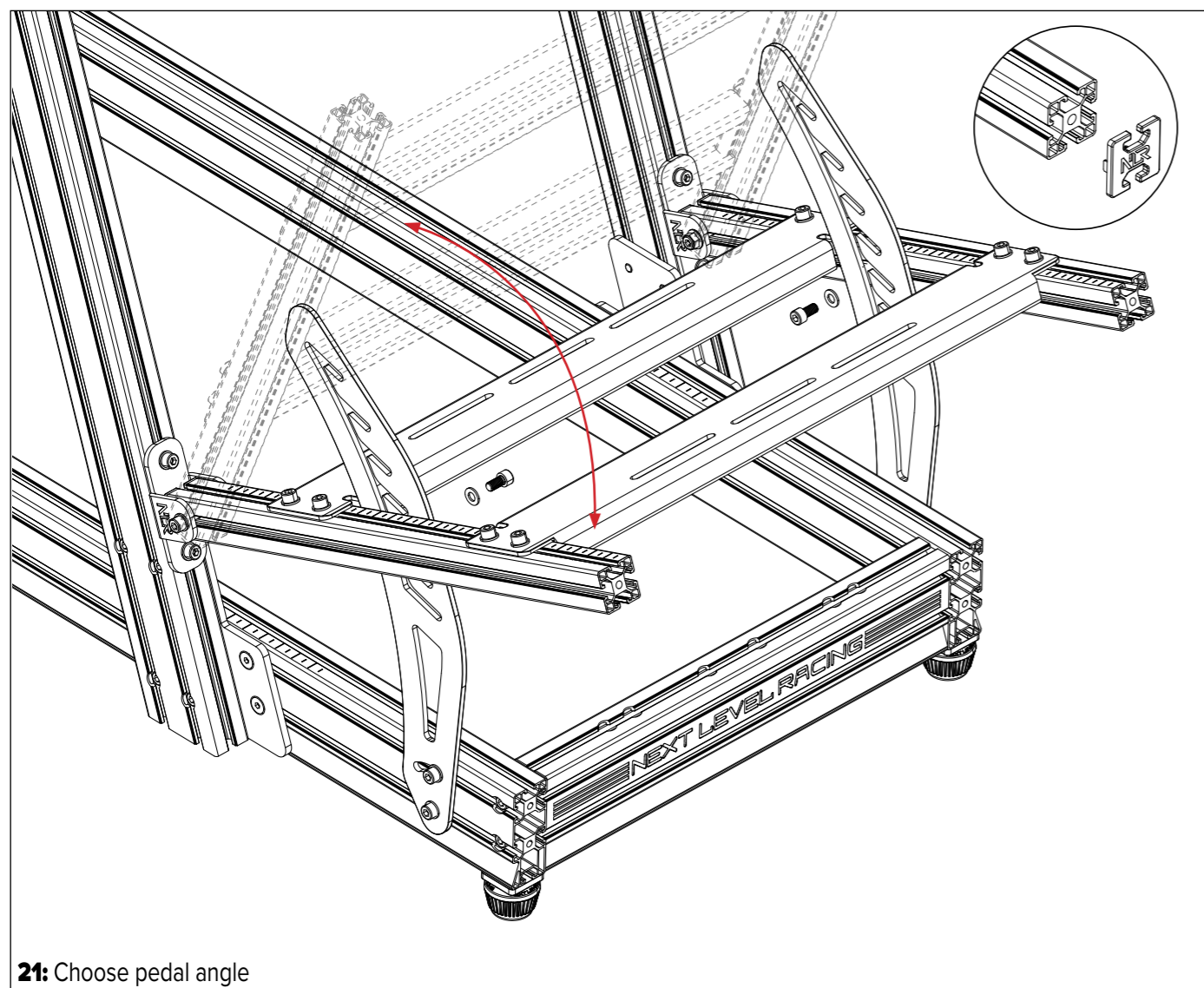
**Note:** Use line laser lines for easy alignment

**PARTS**  
8 X M8 regular t-nut

**20:** Install pedal support bars on to base left and base right using T-Nuts installed in step 1a and 1b

**PARTS**  
4 X M8 16mm bolt  
4 X M8 washer

Repeat on other side







**26:** Select your height then bolt through the shifter brackets into T-Nuts from step 25

**PARTS**  
4 X M8 16mm bolt  
4 X M8 washer

**29:** Bolt through shifter arm bracket into previously installed T-Nuts from step 28

**PARTS**  
4 X M8 16mm bolt  
4 X M8 washer

**27:** Bolt shifter extension plate to base (shifter side) using T-Nuts previously installed in step 1a or 1b

**PARTS**  
4 X M8 countersunk bolt

**Note:** Add this plate to the same side you installed the shifter bracket

**Note:** Shifter arm bracket should be angled towards the back

**30a:** Install 2 x T-Nuts into each of the top side channels (highlighted in blue)

**PARTS**  
4 X M8 regular T-nut

**28:** Install 4 x T-Nuts into the inside channel of the shifter support bar (Longest sized shifter arm from contents page). Slide them to the bottom of the bar to line up with the bracket from step 27 (red dots for T-nut placement)

**PARTS**  
4 X M8 regular t-nut

**30b:** Install 1 x T-Nut into each of the outside channels (highlighted in blue)

**PARTS**  
2 X M8 regular t-nut

Repeat on other side



**31:** Slide the large shifter arm and shifter corner mounting bracket to align with the Medium shifter support arm as shown

**PARTS**  
NIL

**32:** Bolt through bracket in to large shifter arm using T-Nuts previously installed in step 30b

**PARTS**  
2 X M8 16mm bolt  
2 X M8 washer

**33:** Install 2 x T-Nuts into the bottom channel of the medium shifter support arm then bolt through the shifter mounting corner bracket into the T-Nuts

**PARTS**  
2 X M8 regular t-nut  
2 X M8 16mm bolt  
2 X M8 washer

**34a:** These instructions help with step 34b: (1) Align T-Nut with channel (2) Place T-Nut sideways into the channel (3) Push T-Nut into the channel (4) Align within channel by pushing on one edge (5) Push flush (for further details see page 8)

**PARTS**  
NIL

**34b:** Using step 34a install 2 x T-Nut into the top inside channel of each base (red dots show T-nut placement)

**Note:** 2 x T-Nuts on top inside channel of the base frame

Repeat on other side

**PARTS**  
4 X M8 regular t-nut





**35:** Bolt through step plate into T-Nuts previously installed in step 34b

**PARTS**  
4 X M8 16mm bolt  
4 X M8 washer

**37:** (A) Apply felt shown in green to the bottom of the motion adapter plates. (B) Slide 2 x T-Nuts (each side) in to top channel of base frame

**PARTS**  
4 x T-nut  
4 x felt pad

**36:** A: Install 2 x T-Nuts into the bottom channel for the Butt kicker mount pole, install 2x T-Nuts into the top channel of both seat slider bars. Then attach felt pads to the bottom  
B: Bolt seat slider tabs to the end of the seat slider bars

**PARTS**  
4 X sticky felt pads 35mm x 40mm  
6 X M8 T-nut  
4 X M8 counter sunk screw

**38:** Bolt through motion adapter plates into previously installed T-Nuts from step 37

**PARTS**  
4 x M8 16mm bolts  
4 x M8 washers

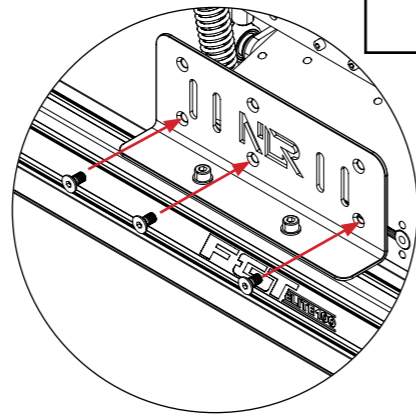
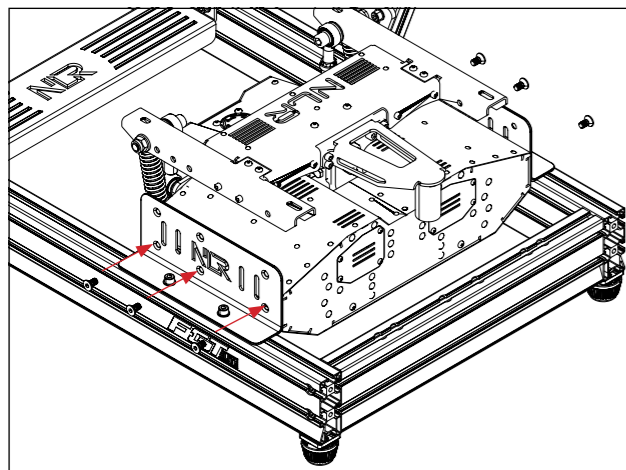
**39:** Align Motion Platform V3 unit with motion adapter plates

**PARTS**  
NIL


# MOTION V3 STEPS

IF YOU DO NOT HAVE A MOTION V3 PLATFORM **SKIP TO STEP 42**

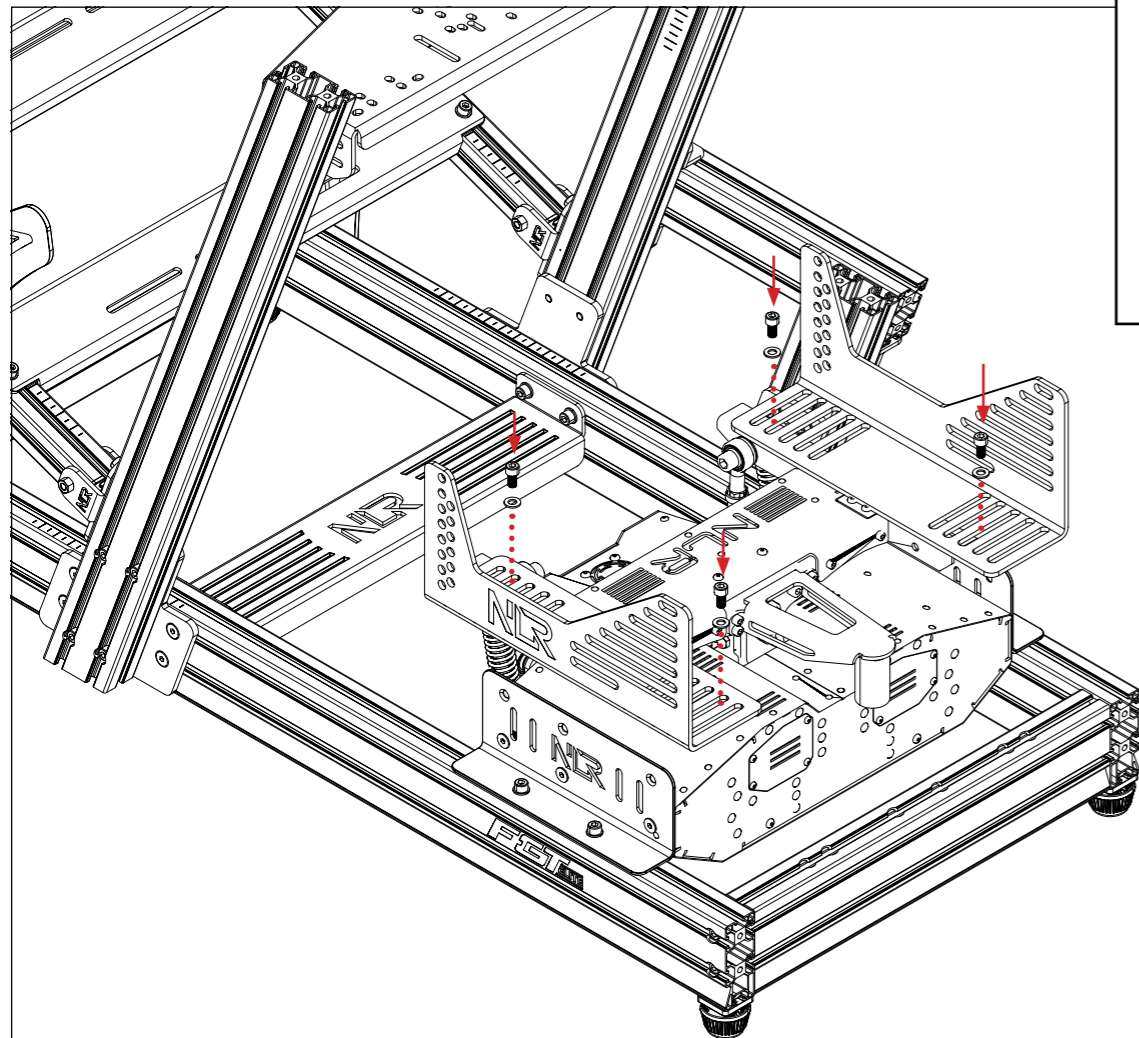




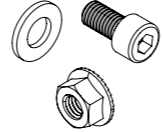
**PARTS**  
6 x M8 20mm  
countersunk bolt



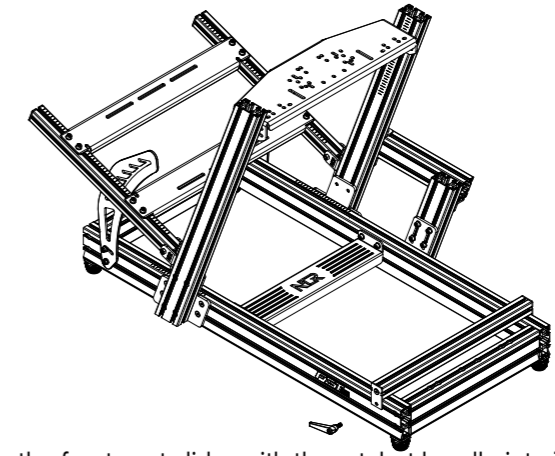
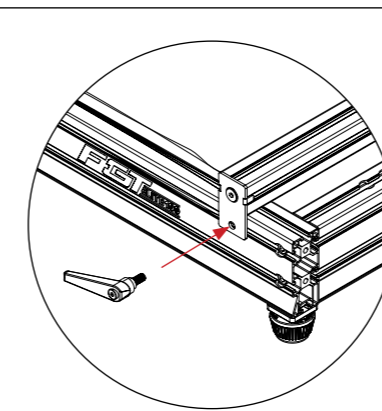
**40:** Bolt through motion plate into Motion V3



**PARTS**  
4 X M8 16mm bolt  
4 X M8 flange nut  
4 X M8 washer



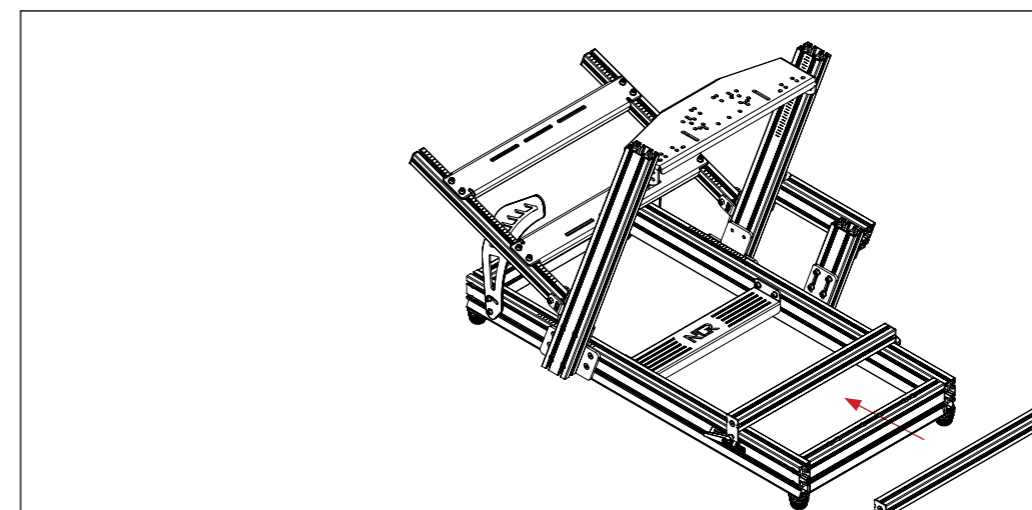
**41:** Bolt through seat bracket with 4 x M8 bolts into the top of the Motion V3 Platform then secure with flange nuts.  
(Motion users skip to step 47 to install the shifter plate)



**PARTS**  
2 X Seat Slider Ratchet Handles

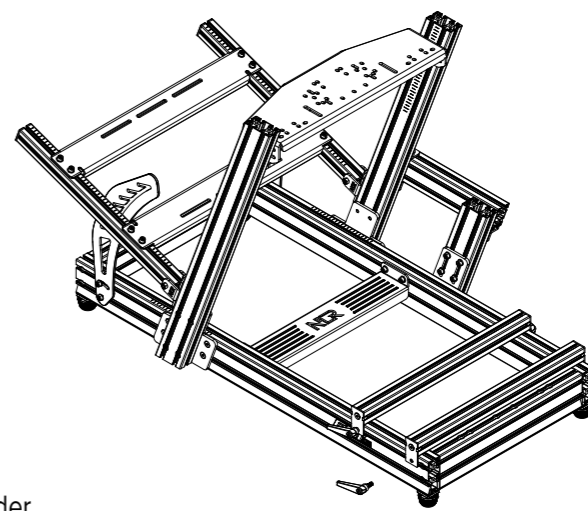
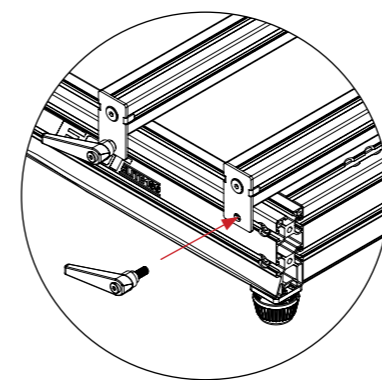


**42:** Bolt through alignment bracket on the front seat slider with the ratchet handle into T-Nuts previously installed in step 1a and 1b

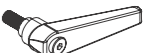


**PARTS**  
NIL

**43:** Line up rear seat slider to base frame

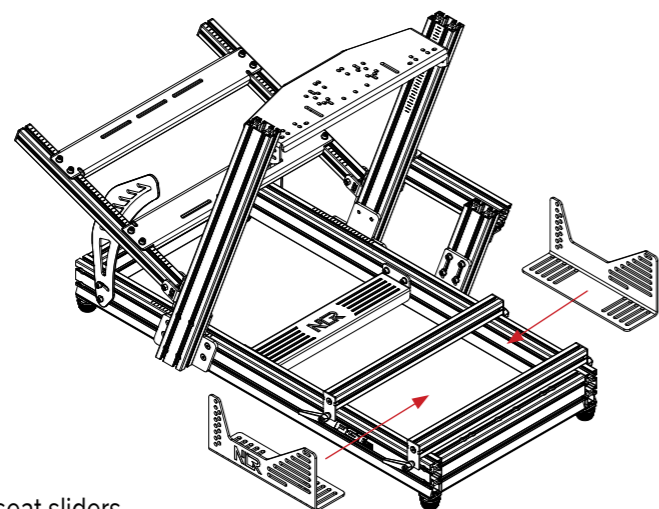


**PARTS**  
2 X seat slider ratchet handles



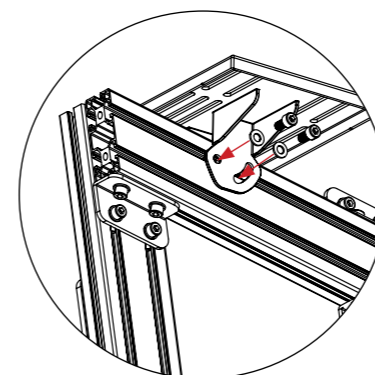
**44:** Repeat step 42 with rear seat slider



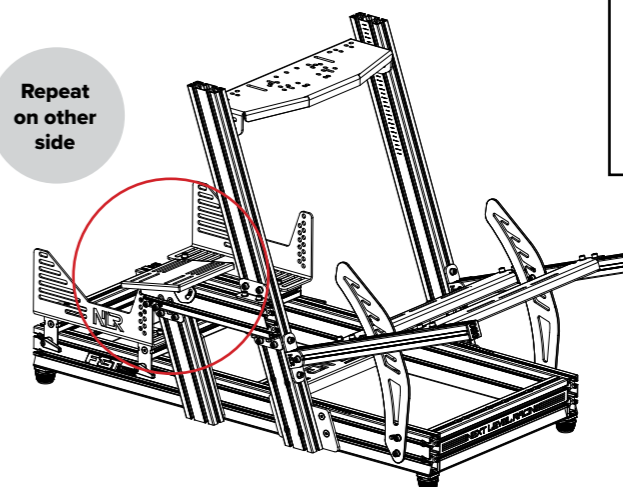


45: Align seat bracket slots to seat sliders

**PARTS**  
NIL

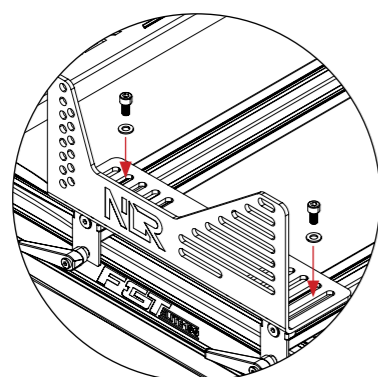
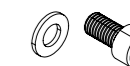


Repeat  
on other  
side

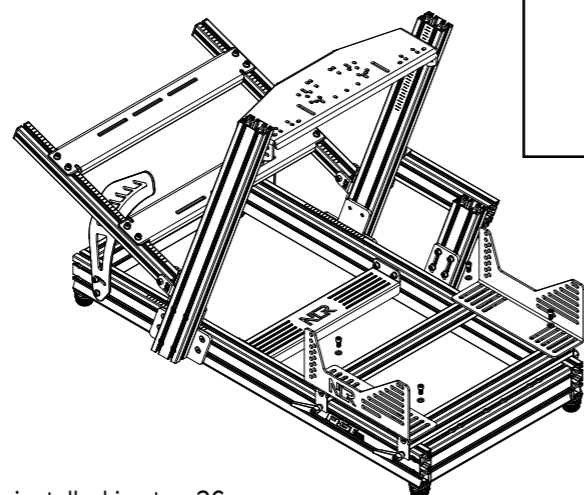


48: Bolt shifter plate to shifter arm using T-Nuts previously installed on step 30a

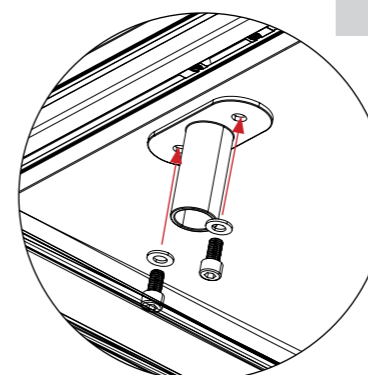
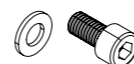
**PARTS**  
4 X M8 16mm bolt  
4 X M8 washer



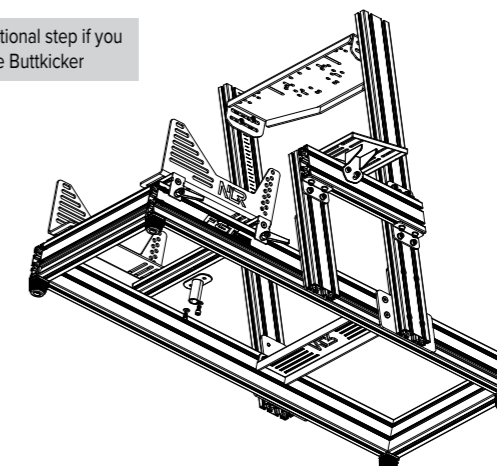
46: Bolt through seat bracket into T-Nuts previously installed in step 36a



**PARTS**  
4 X M8 16mm bolt  
4 X M8 washer

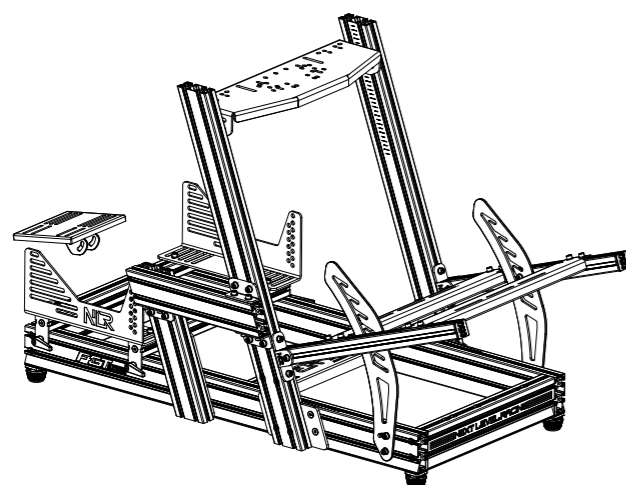
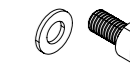


**Note:** Optional step if you  
have Butt kicker



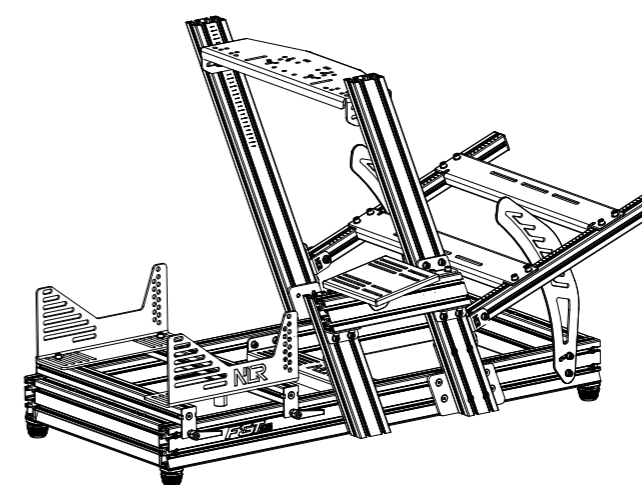
49: Bolt Butt kicker Pole to underside of seat slider crossbar using T-Nuts previously installed on step 36a

**PARTS**  
2 X M8 16mm bolt  
2 X M8 washer



47: Align shifter plate mounting holes to the medium shifter support arm channel at the preferred position

**PARTS**  
NIL



50: Your cockpit is now ready to have seat mounted

**PARTS**  
NIL



**PARTS**  
Cable Management Clip

**Note:** Depress locator tab on back side of clip

**51:** Align cable clip with channel (cable clip can only be inserted from the top of the channel)

**PARTS**  
NIL

**52:** Slide cable clip into place

**PARTS**  
2 x regular T-nut

**53:** Install 2 x T-Nuts into the lower side channel of the medium shifter support arm

**PARTS**  
2 X M8 16mm bolt  
2 X M8 nylon washer

**54:** Bolt through tool holder using T-Nuts previously installed in step 53

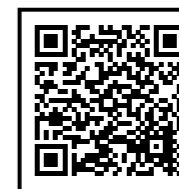
**PARTS**  
NIL

**55:** Insert tools into tool holder



support@nextlevelracing.com

## DIRECT SHIFTER MOUNT (OPTIONAL)



Video Instruction: [bit.ly/nlrbuild](https://bit.ly/nlrbuild)

**PARTS**  
End caps

**A:** Align end-cap to corner of extrusion

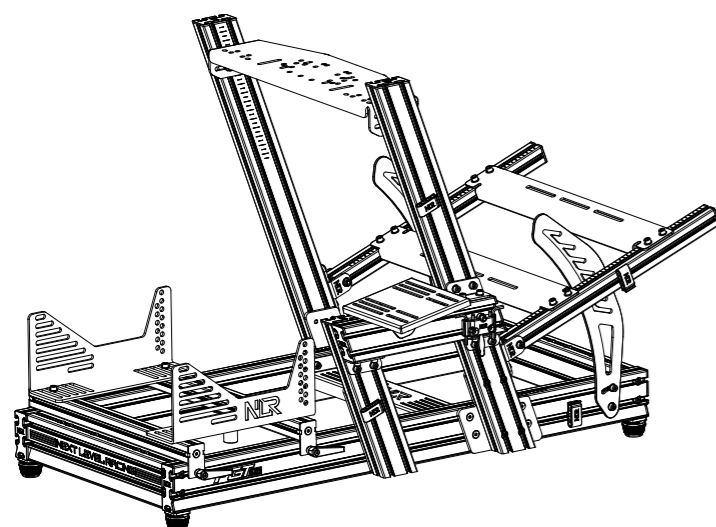
**B:** Depress the centre of the end-cap and align the tab to the first hole. Then align second tab with the second hole.

**C:** Finished end-cap

**56:** Clip on all end caps

## YOUR COCKPIT IS COMPLETE

It's time to install your electronics. If you have any questions about your setup you can contact us directly at: [support@nextlevelracing.com](mailto:support@nextlevelracing.com) or you can join the community on Discord or Facebook



[bit.ly/nlr-discord](https://bit.ly/nlr-discord)



[bit.ly/NLRowner](https://bit.ly/NLRowner)

**PARTS**  
3 X regular T-nut

**A:** Install T-Nuts into inside lower channel on large shifter arm

**PARTS**  
2 x 40x80 end cap

**B:** Install end caps on the large shifter arm

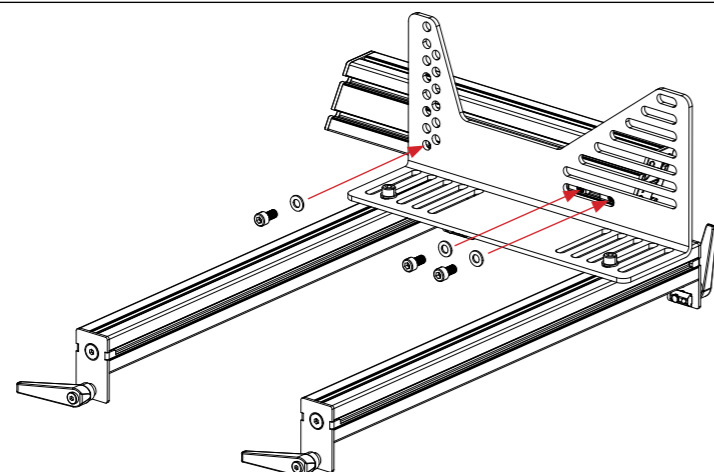
**PARTS**  
NIL

**C:** Line up large shifter arm with the desired position on the seat bracket



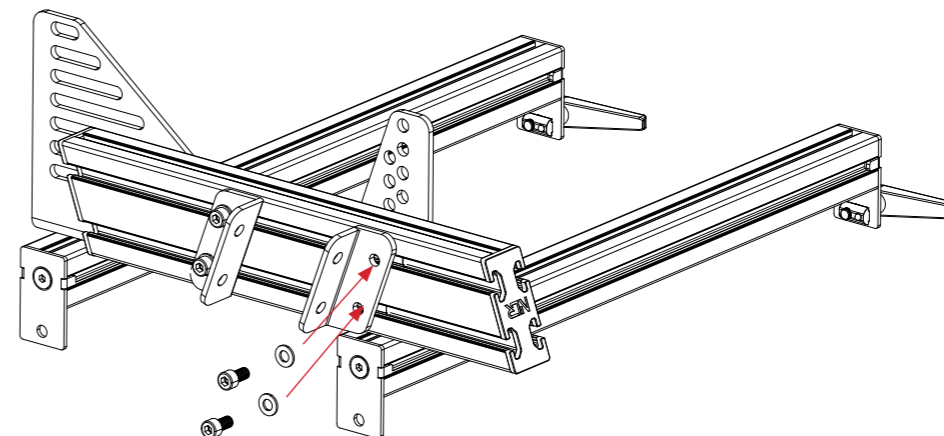


# SEAT DIRECT SHIFTER MOUNT (OPTIONAL)



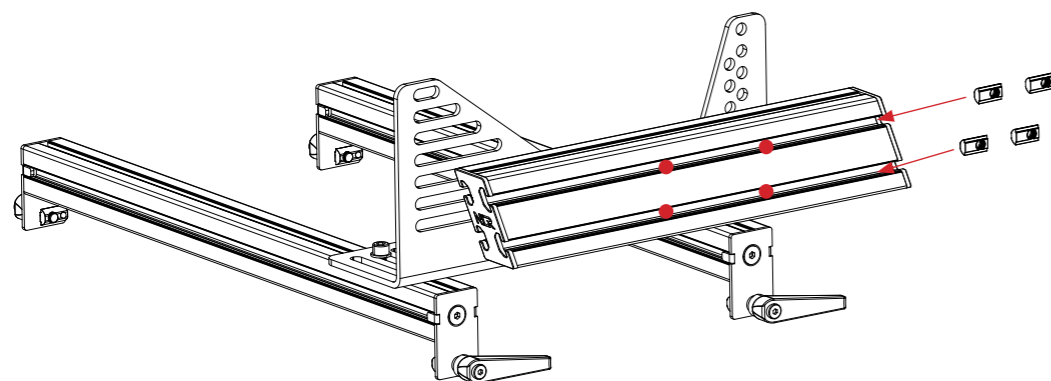
**PARTS**  
3 X M8 16mm bolt  
3 X M8 washer

**D:** Screw bolts into previously installed T-Nuts from step A



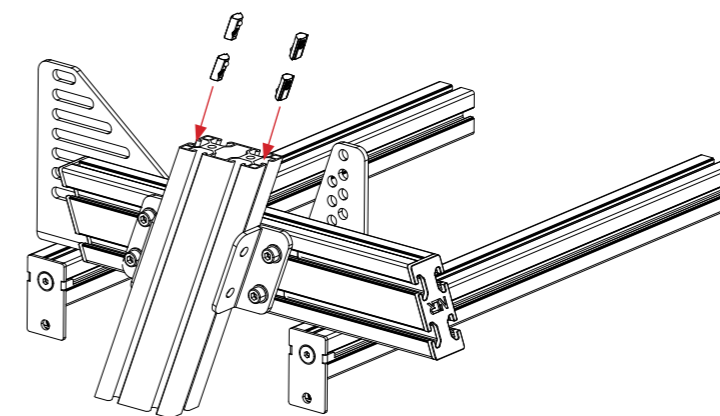
**PARTS**  
2 X M8 16mm bolt  
2 X M8 washer

**G:** Bolt the shifter corner mounting bracket to the T-Nuts previously installed in step E



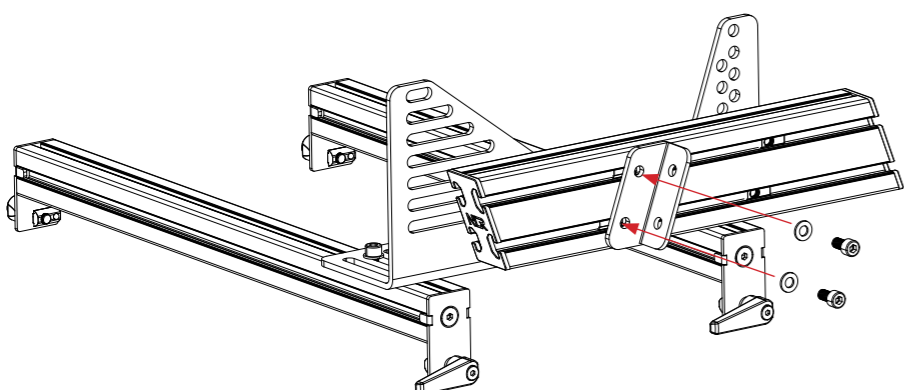
**PARTS**  
4 X regular T-nut

**E:** Install 4 x T-Nuts to channels on the outside of the shifter arm



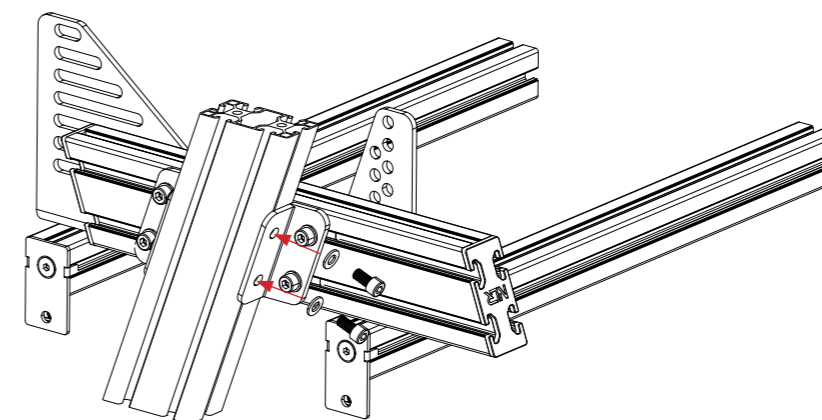
**PARTS**  
4 X regular T-nut

**H:** Install 2 x T-Nut into channels as shown on the (small) shifter direct mount vertical arm



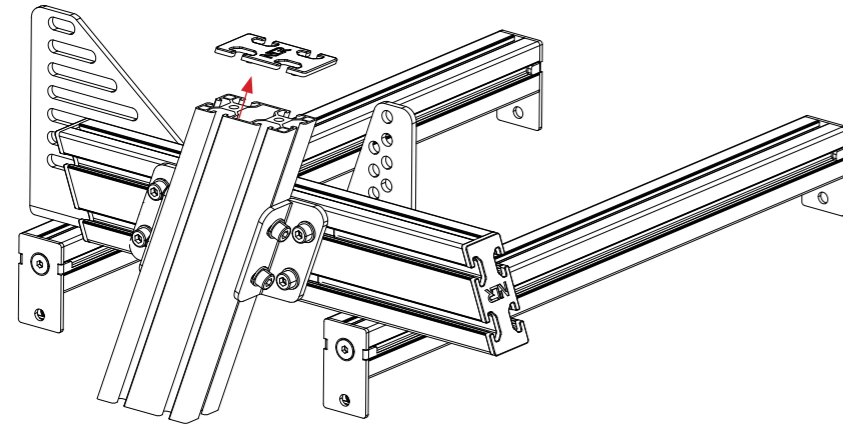
**PARTS**  
2 X M8 16mm bolt  
2 X M8 washer

**F:** Bolt the shifter corner mounting bracket to the T-Nuts previously installed in step E



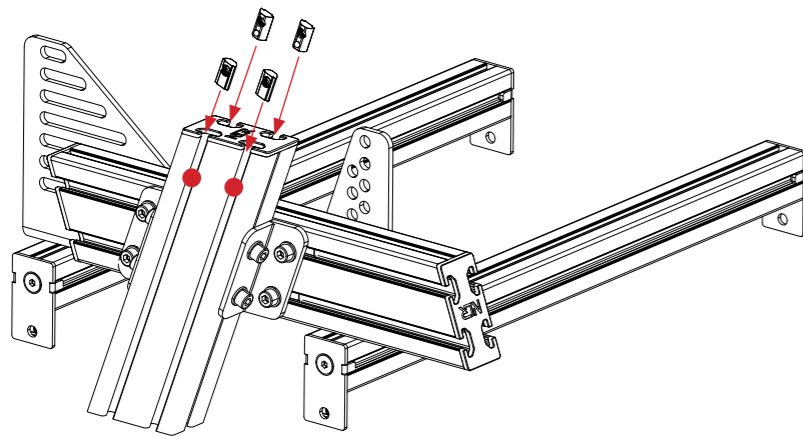
**PARTS**  
2 X M8 16mm bolt  
2 X M8 washer

**I:** Bolt Corner Shifter arm bracket to the shifter arm using T-nuts previously installed in step H



**PARTS**  
1 x 40x80 end cap

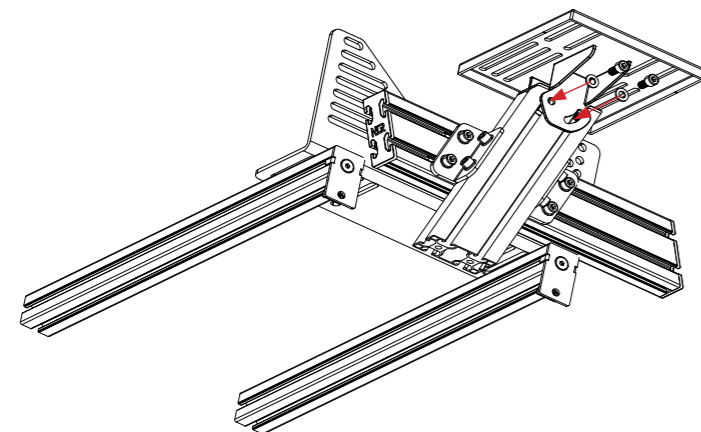
**J:** Install the plastic cap



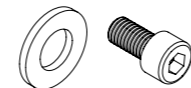
**PARTS**  
4 X regular T-nut



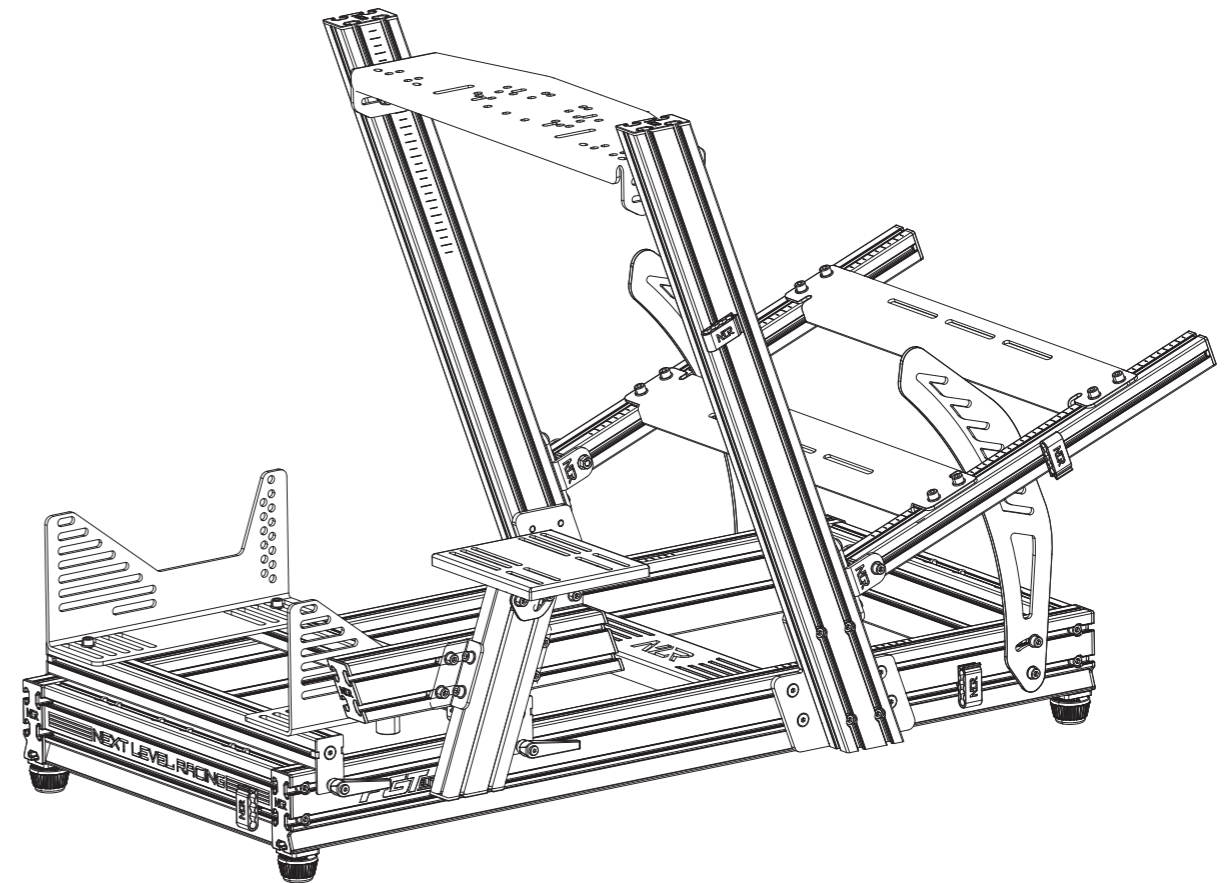
**K:** Install 4 x T-Nut in to channels as shown

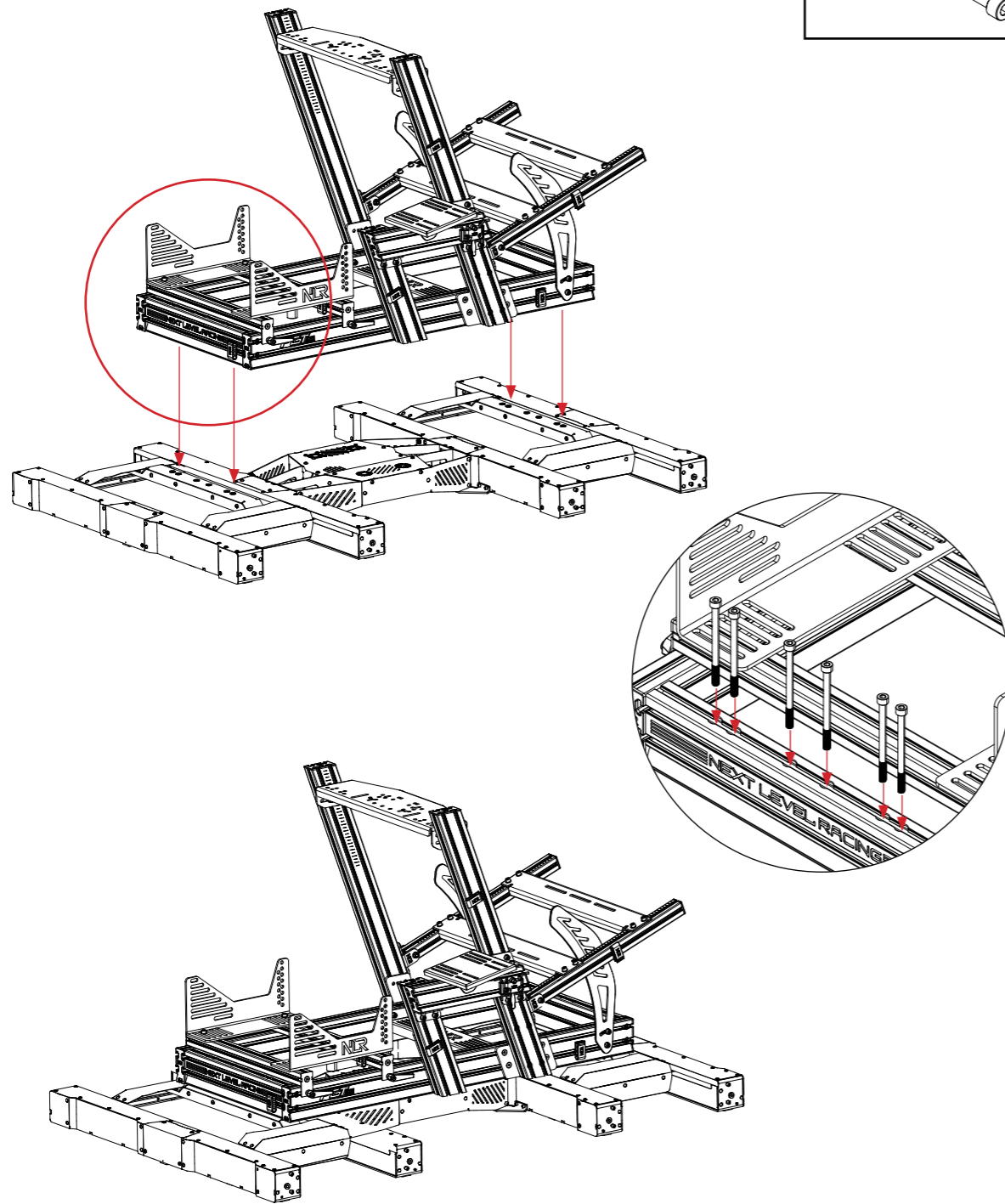
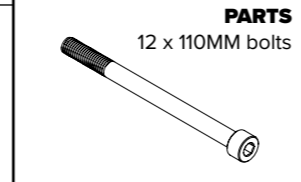


**PARTS**  
4 X M8 16MM bolt  
4 X M8 washer



**L:** Bolt through the shifter plate into the T-nuts previously installed in the step k. Adjust to your desired angle and tighten the bolts to lock it in place





**TRACTION:** The F-GT Elite will mount directly to the Traction Plus Platform using 12 x 110MM bolts. 6 x bolt in the front of the base frame through the pre-drilled holes in the aluminium extrusion & 6 x bolt in the back of base frame through the pre-drilled holes in the base extrusion

**NOTES**





support@nextlevelracing.com



Video Instruction: bit.ly/nlrbuid

NL

### Instructiehandleiding Next Level Racing® F-GT Elite

JE SIM RACING-REIS BEGINT HIER

We weten dat je gretig bent om te beginnen met racen! Neem de tijd met de instructies en volg deze gids om uw product in elkaar te zetten. U zult succes boeken door het instructieboekje te volgen om uw product volledig te optimaliseren.

Scan de QR-code voor instructievideo

Scan de QR om onze sociale kanalen te volgen

#### CONTROLES VOOR DE RACE

#### \*\*WAARSCHUWING\*\*

• Gebruik geen elektrisch gereedschap voor de montage, omdat te strak aandraaien uw frame kan beschadigen

• Zorg ervoor dat de T-moeren correct in de extrusie worden geplaatst

• Ontwerp en bouw de cockpit op een vlakke ondergrond

• Forceer onderdelen niet samen

• Vermijd kruisende bouten

• Raadpleeg bij twijfel de installatievideo of neem contact met ons op via support@nextlevelracing.com

• De F-GT Elite is gebouwd voor 2 personen

Als u ondersteuning nodig heeft bij uw product, neem dan contact op met ons vriendelijke team via support@nextlevelracing.com

#### WAARSCHUWING VERSTIKKINGSGEVAAR

Kleine onderdelen niet voor kinderen jonger dan 3 jaar of voor personen die de neiging hebben om niet-eetbare voorwerpen in hun mond te stoppen.

Scan de QR-code voor instructievideo

In de doos

Controleer de afbeeldingen om er zeker van te zijn dat alle onderdelen allemaal in de doos zitten

#### ALUMINIUM EXTRUSIE TIPS

• Gebruik geen elektrisch gereedschap voor de montage, omdat te strak aandraaien uw frame kan beschadigen

• Zorg ervoor dat de T-moeren correct in de extrusie zijn geplaatst

• Ontwerp en bouw de cockpit op een vlakke ondergrond

• Forceer onderdelen niet samen

• Vermijd kruisende bouten

• Raadpleeg bij twijfel de installatievideo of neem contact met ons op via support@nextlevelracing.com

• De F-GT Elite is een tweepersoonsbouw met de complete cockpit een tweepersoonsbeweging

• Pas op voor scherpe randen aan de extrusiestukken

HOE EEN T-MOER TE INSTALLEREN (vanaf de zijkant) (T-moeren kunnen ook worden geïnstalleerd vanaf het einde van een open kanaal)

NORMALE T-GLEUFMOER (alleen normale T-moeren kunnen vanaf de zijkant of uiteinden worden geïnstalleerd) - Raadpleeg de afbeelding.

Installeer kabelklemmen op de locatie die u tijdens de bouw wilt hebben. Als u de installatie van kabelklemmen tot het einde laat, kunnen er installatieproblemen optreden. Druk tijdens de installatie op het uittijlpijpe aan de achterkant. Raadpleeg de afbeelding.

#### AANPASSINGSPUNTEN

De F-GT Elite is volledig verstelbaar vanaf bijna elk bevestigingspunt, waardoor hij ideaal is voor alle gebruikers, of dat nu in GT- of Formula-positie is. Gebruik het meegeleverde waterpas samen met de afstelmarkeringen op het frame om ervoor te zorgen dat u de perfecte uittijning krijgt.

Raadpleeg de afbeeldingen voor de drie posities

01a: Raadpleeg de afbeelding. Schuif T-Nuts in de linker buitenkanalen op de hoofdbasis. Opmerking: schuif 2 x T-moeren naar voren. ONDERDELEN 8 X M8 T-moeren over de volledige breedte. BELANGRIJK: plaats de T-moeren zoals weergegeven in het onderstaande schema aan de buitenkant van de linkerbasis (rode stippen zijn de plaatsing van de T-moer)

Opmerking: Schuif 2 x T-moeren naar voren voor trapondersteuning

Opmerking: Schuif 4 x T-moeren naar het midden voor wielpaal

Let op: Schuif 4 x T-Nuts naar het midden voor shifter ondersteuning (kies kant)

Opmerking: Schuif 2 x T-moeren naar achteren voor stoelschuiven

01b: Raadpleeg de afbeelding. Schuif T-Nuts in de kanalen rechts buiten op de hoofdbasis. Opmerking: schuif 2 x T-moeren naar voren. ONDERDELEN 12 X M8 T-moeren met volledige breedte. BELANGRIJK: plaats de T-moeren zoals weergegeven in het onderstaande schema aan de buitenkant van de rechterbasis (rode stippen zijn de plaatsing van de T-moer). Opmerking: Schuif 2 x T-moeren naar achteren voor stoelschuiven. Let op: Schuif 4 x T-Nuts naar het midden voor ondersteuning van de shifter (kant kiezen). Opmerking: Schuif 4 x T-moeren naar het midden voor wielpaal. Opmerking: Schuif 2 x T-moeren naar voren voor trapondersteuning.

\* AANBEVOLEN GEREEDSCHAP - Raadpleeg de afbeeldingen

02: Raadpleeg de afbeelding - Bout voor- en achterpand aan de basis. Opmerking: het voorstuk heeft het Next Level Racing®-logo

03: Raadpleeg de afbeelding - Herhaal stap 2 aan de andere kant

04: Raadpleeg de afbeelding - Installeer voetjes. Opmerking: de hoogte van de voet kan alleen worden aangepast als deze op de cockpit is geïnstalleerd. Opmerking: het uittijningslijpje van de voet moet in het kanaal zitten.

05: Raadpleeg de afbeelding - Schuif de T-moer in het onderste kanaal

06: Raadpleeg de afbeelding - Schroef de voet in de T-moer die is geïnstalleerd in stap 5

07: Raadpleeg het tabblad Afbeelding uittijnen op de voet in het kanaal

08: Raadpleeg de afbeelding - Draai de schroef in de voet vast met een inbusleutel om de hoogte te vergrendelen

09: Raadpleeg de afbeelding - Installeer de corresponderende "T" -plaat op de linker en rechter verticale extrusies met lasergegraveerde lijnen naar de plaat naar binnen gericht. Opmerking: uitsparing gaten aan de buitenkant. Opmerking: Onderdelen zijn gelabeld voor toepassingen aan de linker- en rechterkant.

10: Raadpleeg de afbeelding - Bout de rechterpaal aan de rechterbasisbalk met behulp van T-moeren die eerder zijn geïnstalleerd in stap 1b. Opmerking: draai een hoek naar de achterkant van de weergegeven cockpitachtige afbeelding

11: Raadpleeg de afbeelding - Herhaal stap 10 aan de andere kant

12: Raadpleeg de afbeelding - Installeer T-moeren op de binnenkanalen van de wielpalen (plaatsing rode stippen)

13: Raadpleeg de afbeelding - Installeer vilten kussentjes (groen) op de uiteinden van de wielplaat om krassen bij het afstellen te voorkomen, en bevestig de wielplaat vervolgens aan de wielstijlen met behulp van T-moeren die eerder zijn geïnstalleerd in stap 12

14: Raadpleeg de afbeelding - Installeer 2 x T-moeren in het voorste kanaal van de wielpaal en herhaal aan de andere kant (plaatsing van rode stippen)

15: Raadpleeg de afbeelding - Bout pedaalplaatbeugel aan wielpaal met behulp van T-moeren die eerder zijn geïnstalleerd in stap 14

16: Raadpleeg de afbeelding - Bout door pedaalarmsteunen uit stap 15 met lijnmarkeringen naar boven gericht. Installeer vervolgens 2 x 40x40 NLR-eindkappen. Opmerking: Draai de pedaalbeugel pas vast als u de gewenste positie heeft bereikt.

17: Raadpleeg de afbeelding - Installeer 4 x T-moeren in het bovenste kanaal van elke pedaalplaatarm (rode stippen voor plaatsing van de T-moer) Opmerking: gebruik lijnlaserlijnen voor eenvoudige uittijning.

18: Raadpleeg de afbeelding - Bout pedaalplaten op de pedaalarmen met de sleuven \* naar elkaar gericht met behulp van T-moeren die eerder in stap 17 zijn geïnstalleerd.

19: Raadpleeg de afbeelding - Installeer 1 T-moer in het binnenkanaal van elke pedaalarm (rode stippen voor plaatsing van de T-moer) Herhaal aan de andere kant

20: Raadpleeg de afbeelding - Installeer pedaalsteunstangen op de basis links en rechts met de T-moeren die zijn geïnstalleerd in stap 1a en 1b. Herhaal aan de andere kant.

21: Raadpleeg de afbeelding - Kies de pedaalhoek

22: Raadpleeg de afbeelding - Bout door steunstaven in T-moeren die eerder zijn geïnstalleerd in stap 19. Herhaal aan de andere kant.

23: Raadpleeg de afbeelding - Installeer 4 x T-moeren in de buitenste kanalen van de wielpalen aan de kant van de shifter vanaf 1a of 1b. Opmerking: installeer aan uw shifterzijde vanaf 1a of 1b

24: Raadpleeg de afbeelding - Monteer de schakelbeugels op de wielstijl met behulp van de T-moeren die eerder in stap 23 zijn geïnstalleerd.

25: Raadpleeg de afbeelding - Installeer 4 x T-moeren in de bovenste en onderste kanalen van de schakelarm (middelgrote schakelarm van de inhoudspagina)

26: Raadpleeg de afbeelding - Selecteer uw lengte en schroef vervolgens door de schakelbeugels in de T-moeren uit stap 25

27: Raadpleeg de afbeelding - Schroef de verlengplaat van de versnellingspook aan de basis (kant van de schakeleenheid) met behulp van de T-moeren die eerder zijn geïnstalleerd in stap 1a of 1b. Opmerking: voeg deze plaat toe aan dezelfde kant waar u de schakelbeugel hebt geïnstalleerd. Opmerking: de beugel van de schakelarm moet naar achteren worden gekanteld

28: Raadpleeg de afbeelding - Installeer 4 x T-moeren in het binnenste kanaal van de schakelstang (langste schakelarm van de inhoudspagina). Schuif ze naar de onderkant van de balk om ze uit te lijnen met de beugel uit stap 27 (rode stippen voor plaatsing van de T-moer)

29: Raadpleeg de afbeelding - Bout door de steun van de schakelarm in eerder geïnstalleerde T-moeren uit stap 28

30a: Raadpleeg de afbeelding - Installeer 2 x T-moeren in elk van de bovenste zijkanalen (blauw gemarkeerd)

30b: Raadpleeg de afbeelding - Installeer 1 x T-moer in elk van de buitenkanalen (blauw gemarkeerd)

31: Raadpleeg de afbeelding - Schuif de grote schakelarm en de hoekmontagebeugel van de versnellingspook zodat ze uitgelijnd zijn met de draagarm van de middelste versnellingspook, zoals afgebeeld

32: Raadpleeg de afbeelding - Bout door de beugel in de grote schakelarm met behulp van T-moeren die eerder zijn geïnstalleerd in stap 30b

33: Raadpleeg de afbeelding - Installeer 2 x T-moeren in het onderste kanaal van de medium shifter-steunarm en schroef vervolgens door de montagehoekbeugel van de shifter in de T-moeren

34a: Raadpleeg de afbeelding - Deze instructies helpen bij stap 34b: (1) Lijn de T-moer uit met het kanaal (2) Plaats de T-moer zijwaarts in het kanaal (3) Duw de T-moer in het kanaal (4) Lijn uit met het kanaal door op een rand te drukken (5) Push flush (voor meer details zie pagina 8)

34b: Raadpleeg de afbeelding - Installeer met stap 34a 2 x T-moer in de bovenkant in het kanaal van elke basis (rode stippen geven de plaatsing van de T-moer aan). Opmerking: 2 x T-moeren bovenop in het kanaal van het basisframe. Herhaal aan de andere kant.

35: Raadpleeg de afbeelding - Bout door stapplaat in T-moeren die eerder in stap 34b zijn geïnstalleerd

36: Raadpleeg de afbeelding - A: Installeer 2 x T-moeren in het onderste kanaal voor de ButtKicker-montagegastang, installeer 2x T-moeren in het bovenste kanaal van beide zadelschuifbalken. Bevestig vervolgens vilten kussentjes aan de onderkant B: Zet de lipjes van de stoelschuifbalk vast aan het uiteinde van de stoelschuifbalken

#### MOTION V3-PLATFORM STAPPEN ALS U GEEN MOTION V3-PLATFORM HEBT, GA DAN NAAR STAP 42

37: Raadpleeg de afbeelding- (A) Breng vilten aan dat in groen wordt weergegeven op de onderkant van de bewegingsadapterplaten. (B) Schuif 2 x T-moeren (elke kant) in het bovenste kanaal van het basisframe

38: Raadpleeg de afbeelding - bout door bewegingsadapterplaten in eerder geïnstalleerde T-moeren uit stap 37

39: Raadpleeg de afbeelding - Align Motion Platform V3-eenheid met bewegingsadapterplaten

40: Raadpleeg de afbeelding - Bout door bewegingsplaat in Bewegingsplatform V3

41: Raadpleeg de afbeelding - Bout door de stoelbeugel met 4 x M8-bouten in de bovenkant van het Motion V3-platform en zet vervolgens vast met flensmoeren. (Bewegingsgebruikers gaan verder met stap 47 om de schakelplaat te installeren)

42: Raadpleeg de afbeelding - Bout door de uittijningsbeugel op de schuifregelaar van de voorstoel met de ratelhendel in de T-moeren die eerder zijn geïnstalleerd in stap 1a en 1b

43: Raadpleeg de afbeelding - Lijn de schuifregelaar van de achterbank uit op het basisframe

44: Raadpleeg de afbeelding - Herhaal stap 42 met de schuifregelaar van de achterbank

45: Raadpleeg de afbeelding - Lijn de gleuven van de stoelbeugel uit met de schuifregelaars van de stoel

46: Raadpleeg de afbeelding - Bout door de stoelbeugel in de T-moeren die eerder zijn geïnstalleerd in stap 36a

47: Raadpleeg de afbeelding - Lijn de montagegaten van de schakelplaat uit met het kanaal van de middelste schakelarm op de gewenste positie

48: Raadpleeg de afbeelding - Bout schakelplaat aan schakelarm met behulp van T-moeren die eerder zijn geïnstalleerd in stap 30a. Herhaal aan de andere kant

49: Raadpleeg de afbeelding - Bout ButtKicker-paal aan de onderkant van de zadelschuifbalk met behulp van T-moeren die eerder zijn geïnstalleerd in stap 36a

50: Raadpleeg de afbeelding - Uw cockpit is nu klaar om op de stoel te worden gemonteerd

51: Raadpleeg de afbeelding - Lijn de kabelklem uit met het kanaal (kabelklem kan alleen vanaf de bovenkant van het kanaal worden ingebracht) Opmerking: Druk het locatielijpe aan de achterkant van de clip in

52: Raadpleeg de afbeelding - Schuif de kabelclip op zijn plaats

53: Raadpleeg de afbeelding - Installeer 2 x T-moeren in het onderste zijkanaal van de medium shifter-steunarm.

54: Raadpleeg de afbeelding - Bout door gereedschapshouder met behulp van T-moeren die eerder zijn geïnstalleerd in stap 53

55: Zie afbeelding - Gereedschap in de gereedschapshouder plaatsen

56: Zie afbeelding - Clip op alle eindkappen. A: Lijn de eindkap uit met de hoek van de extrusie. B: Druk het midden van de eindkap in en lijn het lipje uit met het eerste gat. Lijn vervolgens het tweede lipje uit met het tweede gat. C: Afgewerkte eindkap

UW COCKPIT IS COMPLEET Het is tijd om uw elektronica te installeren. Als je vragen hebt over je setup, kun je rechtstreeks contact met ons opnemen via support@nextlevelracing.com of je kunt lid worden van de community op Discord of Facebook

#### DIRECTE SHIFTER-MONTAGE (OPTIONEEL)

A: Raadpleeg de afbeelding - Installeer de T-moeren in het onderste onderste kanaal op de grote schakelarm

B: Raadpleeg de afbeelding - Installeer de eindkappen op de grote schakelarm

C: Raadpleeg de afbeelding - Lijn de grote schakelarm uit met de gewenste positie op de stoelbeugel

D: Raadpleeg de afbeelding - Schroef bouten in eerder geïnstalleerde T-moeren uit stap A

E: Raadpleeg de afbeelding - Installeer 4 x T-moeren op kanalen aan de buitenkant van de schakelarm

F: Raadpleeg de afbeelding - Bout de hoekmontagebeugel van de shifter aan de T-moeren die eerder zijn geïnstalleerd in stap E

#### STOEL DIRECTE SHIFTER BEVESTIGING (OPTIONEEL)

G: Raadpleeg de afbeelding - Bout de hoekmontagebeugel van de shifter aan de T-moeren die eerder zijn geïnstalleerd in stap E

H: Raadpleeg de afbeelding - Installeer 2 x T-moer in kanalen zoals getoond op de (kleine) shifter direct mount verticale arm

I: Raadpleeg de afbeelding - Bout Hoekverstellerarmbeugel aan de schakelarm met behulp van T-moeren die eerder zijn geïnstalleerd in stap H

J: Raadpleeg de afbeelding - Installeer de plastic dop

K: Raadpleeg de afbeelding - Installeer 4 x T-moer in kanalen zoals weergegeven

L: Raadpleeg de afbeelding - Bout door de schakelplaat in de T-moeren die eerder zijn geïnstalleerd in stap k. Pas aan de gewenste hoek aan en draai de bouten vast om ze op hun plaats te vergrendelen

#### RAADPLEEG DE LAATSTE AFBEELDING VOOR DE VOLLEDIGE COCKPIT

RAADPLEEG HET LAATSTE AFBEELDING: TRACTIE: De F-GT Elite wordt rechtstreeks op het Traction Plus-platform gemonteerd met behulp van 12 x 110 MM bouten. 6 x bout aan de voorkant van het basisframe door de voorgeboorde gaten in de aluminium extrusie & 6 x bout aan de achterkant van het basisframe door de voorgeboorde gaten in de basisextrusie



support@nextlevelracing.com



Video Instruction: [bit.ly/nlrbuid](https://bit.ly/nlrbuid)

# IT

## Manuale di istruzioni Next Level Racing® F-GT Elite IL TUO VIAGGIO IN SIM RACING INIZIA QUI

Sappiamo che non vedi l'ora di iniziare a correre! Prenditi il tuo tempo con le istruzioni e segui questa guida per assemblare il tuo prodotto. Ti preparerai al successo seguendo il libretto di istruzioni per ottimizzare completamente il tuo prodotto.

Scansiona il codice QR per il video di istruzioni

Scansiona il QR per seguire i nostri canali social

### CONTROLLI PRE-GARA

#### \*\*AVVERTIMENTO\*\*

• Non utilizzare utensili elettrici per il montaggio poiché un serraggio eccessivo può danneggiare il telaio

• Assicurarsi che i dadi a T siano posizionati correttamente all'interno dell'estrusione

• Disegna e costruisci l'abitacolo su una superficie piana

• Non forzare le parti insieme

• Evitare bulloni con filettatura incrociata

• In caso di dubbio, consultare il video di installazione o contattarci all'indirizzo support@nextlevelracing.com

• L'F-GT Elite è una build per 2 persone

Se hai bisogno di supporto con il tuo prodotto, contatta il nostro team amichevole all'indirizzo support@nextlevelracing.com

### AVVERTENZA PERICOLO DI SOFFOCAMENTO

Piccole parti non per bambini sotto i 3 anni o persone che hanno la tendenza a mettere in bocca oggetti non commestibili.

Scansiona il codice QR per il video di istruzioni

Nella scatola

Controlla le immagini per assicurarti che tutte le parti siano tutte incluse nella confezione

### PUNTE DI ESTRUSIONE IN ALLUMINIO

• Non utilizzare utensili elettrici per il montaggio poiché un serraggio eccessivo può danneggiare il telaio

• Assicurarsi che i dadi a T siano posizionati correttamente all'interno dell'estrusione

• Disposizione e costruzione della cabina di pilotaggio su una superficie piana

• Non forzare le parti insieme

• Evitare bulloni con filettatura incrociata

• In caso di dubbio, consultare il video di installazione o contattarci all'indirizzo support@nextlevelracing.com

• L'F-GT Elite è una build per due persone con la cabina di pilotaggio completa una mossa per due persone

• Fare attenzione agli spigoli vivi sui pezzi estrusi

COME INSTALLARE UN T-NUT (From Side) (I T-NUT possono essere installati anche dall'estremità di un canale aperto)

DADO PER SCANALATURA A T NORMALE (Solo i dadi a T normali possono essere installati lateralmente o alle estremità) - Fare riferimento all'immagine.

Installa i fermacavi nella posizione in cui desideri durante la costruzione. Lasciare l'installazione dei fermacavi alla fine può presentare problemi di installazione. Premere la linguetta di allineamento sul retro durante l'installazione. Fare riferimento all'immagine.

### PUNTI DI REGOLAZIONE

L'F-GT Elite è completamente regolabile da quasi tutti i punti di attacco, rendendolo perfetto per utenti di tutte le dimensioni, sia che si trovi in posizione GT o Formula. Usa la livella fornita insieme ai contrassegni di regolazione sul telaio per assicurarti di ottenere

l'allineamento perfetto.

Fare riferimento alle immagini per le tre posizioni

01a: Fare riferimento all'immagine. Far scorrere i dadi a T nei canali esterni di sinistra sulla base principale. Nota: far scorrere 2 dadi a T in avanti. PARTI 8 Dadi a T a tutta larghezza X M8. IMPORTANTE: posizionare i dadi a T come mostrato nel diagramma sotto sulla

parte esterna della base sinistra (i punti rossi indicano il posizionamento dei dadi a T)

Nota: far scorrere 2 dadi a T in avanti per il supporto del pedale

Nota: fai scorrere 4 dadi a T al centro per il montante della ruota

Nota: fai scorrere 4 dadi a T al centro per il supporto del cambio (scegli il lato)

Nota: far scorrere 2 dadi a T sul retro per i cursori del sedile

01b: Fare riferimento all'immagine. Far scorrere i dadi a T nei canali esterni a destra sulla base principale. Nota: far scorrere 2 dadi a T in avanti. PARTI 12 Dadi a T a tutta larghezza X M8. IMPORTANTE: posizionare i dadi a T come mostrato nel diagramma sotto sulla parte

esterna della base destra (i punti rossi indicano la posizione dei dadi a T). Nota: far scorrere 2 dadi a T sul retro per i cursori del sedile. Nota: fai scorrere 4 dadi a T al centro per il supporto del cambio (scegli il lato). Nota: fai scorrere 4 dadi a T al centro per il montante

della ruota. Nota: far scorrere 2 dadi a T in avanti per il supporto del pedale.

\* STRUMENTI CONSIGLIATI - Fare riferimento alle immagini

02: Fare riferimento all'immagine: avvitare i pezzi anteriore e posteriore alla base. Nota: la parte anteriore ha il logo Next Level Racing®

03: Fare riferimento all'immagine - Ripetere il passaggio 2 sul lato opposto

04: Fare riferimento all'immagine - Installare i piedi. Nota: l'altezza del piede può essere regolata solo quando è installato sull'abitacolo. Nota: la linguetta di allineamento del piede dovrebbe trovarsi nel canale.

05: Fare riferimento all'immagine - Far scorrere il dado a T nel canale inferiore

06: Fare riferimento all'immagine - Avvitare il piede nel dado a T installato al passaggio 5

07: Fare riferimento alla linguetta di allineamento dell'immagine sul piede all'interno del canale

08: Fare riferimento all'immagine: stringere la vite all'interno del piedino con la chiave a brugola per bloccare l'altezza

09: Fare riferimento all'immagine - Installare la piastra a "T" corrispondente sulle estrusioni verticali sinistra e destra con linee incise al laser rivolte verso l'interno. Nota: i fori da incasso devono essere all'esterno. Nota: le parti sono etichettate per le applicazioni sul lato

sinistro e destro.

10: Fare riferimento all'immagine - Avvitare il montante destro al membro di base destro utilizzando i dadi a T precedentemente installati nel passaggio 1b. Nota: angolo verso la parte posteriore dell'immagine mostrata simile a una cabina di pilotaggio

11: Fare riferimento all'immagine - Ripetere il passaggio 10 sul lato opposto

12: Fare riferimento all'immagine - Installare i dadi a T nei canali interni dei montanti delle ruote (posizionamento dei punti rossi)

13: Fare riferimento all'immagine - Installare i feltrini (verdi) sulle estremità della piastra della ruota per evitare graffi durante la regolazione, quindi imbullonare la piastra della ruota ai montanti della ruota utilizzando i dadi a T precedentemente installati al punto 12

14: Fare riferimento all'immagine: installare 2 dadi a T nel canale anteriore del montante della ruota e ripetere sull'altro lato (posizionamento dei punti rossi)

15: Fare riferimento all'immagine: avvitare la staffa della piastra del pedale al montante della ruota utilizzando i dadi a T precedentemente installati al punto 14

16: Fare riferimento all'immagine: imbullonare le staffe del braccio del pedale dal punto 15 con i marcatori di linea rivolti verso l'alto. Quindi installare 2 cappucci terminali NLR 40x40. Nota: non serrare la staffa del pedale fino a quando non si è nella posizione desiderata.

17: Fare riferimento all'immagine: installare 4 dadi a T nel canale superiore di ciascun braccio della piastra del pedale (punti rossi per il posizionamento del dado a T)

18: Fare riferimento all'immagine - Fissare le piastre dei pedali ai bracci dei pedali con le fessure \* una di fronte all'altra utilizzando i dadi a T precedentemente installati al punto 17.

19: Fare riferimento all'immagine: installare 1 dado a T nel canale interno di ciascun braccio del pedale (punti rossi per il posizionamento del dado a T) Ripetere sull'altro lato

20: Fare riferimento all'immagine - Installare le barre di supporto del pedale sulla base sinistra e sulla base destra utilizzando i dadi a T installati nei passaggi 1a e 1b. Ripeti dall'altra parte.

21: Fare riferimento all'immagine - Scegliere l'angolazione del pedale

22: Fare riferimento all'immagine: imbullonare le barre di supporto nei dadi a T precedentemente installati al punto 19. Ripetere sull'altro lato.

23: Fare riferimento all'immagine - Installare 4 dadi a T nei canali esterni dei montanti delle ruote sul lato del cambio da 1a o 1b. Nota: installa sul lato del cambio da 1a o 1b

24: Fare riferimento all'immagine - Installare le staffe del cambio sul montante della ruota utilizzando i dadi a T precedentemente installati al punto 23.

25: Fare riferimento all'immagine: installare 4 dadi a T nei canali superiore e inferiore del braccio del cambio (braccio del cambio di medie dimensioni dalla pagina dei contenuti)

26: Fare riferimento all'immagine: selezionare la propria altezza, quindi passare attraverso le staffe del cambio nei dadi a T dal passaggio 25

27: Fare riferimento all'immagine - Bullone della piastra di estensione del cambio alla base (lato del cambio) utilizzando i dadi a T precedentemente installati nel passaggio 1a o 1b. Nota: aggiungi questa piastra sullo stesso lato in cui hai installato la staffa del cambio. Nota:

la staffa del braccio del cambio deve essere inclinata verso la parte posteriore

28: Fare riferimento all'immagine: installare 4 dadi a T nel canale interno della barra di supporto del cambio (braccio del cambio di dimensioni più lunghe dalla pagina dei contenuti). Fari scorrere verso la parte inferiore della barra per allinearli con la staffa dal passaggio

27 (punti rossi per il posizionamento del dado a T)

29: Fare riferimento all'immagine: imbullonare la staffa del braccio del cambio nei dadi a T precedentemente installati dal passaggio 28

30a: Fare riferimento all'immagine: installare 2 dadi a T in ciascuno dei canali laterali superiori (evidenziati in blu)

30b: fare riferimento all'immagine: installare 1 dado a T in ciascuno dei canali esterni (evidenziato in blu)

31: Fare riferimento all'immagine - Far scorrere il braccio del cambio grande e la staffa di montaggio angolare del cambio per allinearli con il braccio di supporto del cambio medio come mostrato

32: Fare riferimento all'immagine: imbullonare la staffa nel grande braccio del cambio utilizzando i dadi a T precedentemente installati nel passaggio 30b

33: Fare riferimento all'immagine: installare 2 dadi a T nel canale inferiore del braccio di supporto del cambio medio, quindi imbullonare attraverso la staffa angolare di montaggio del cambio nei dadi a T

34a: Fare riferimento all'immagine - Queste istruzioni aiutano con il passaggio 34b: (1) Allineare il dado a T con il canale (2) Posizionare il dado a T lateralmente nel canale (3) Spingere il dado a T nel canale (4) Allineare all'interno il canale premendo su un bordo (5)

Spingere a filo (per ulteriori dettagli vedere pagina 8)

34b: Fare riferimento all'immagine: utilizzando il passaggio 34a, installare 2 dadi a T nella parte superiore all'interno del canale di ciascuna base (i punti rossi mostrano la posizione del dado a T). Nota: 2 dadi a T sulla parte superiore all'interno del canale del telaio di

base. Ripeti dall'altra parte.

35: Fare riferimento all'immagine: imbullonare la piastra con gradino nei dadi a T precedentemente installati nel passaggio 34b

36: Fare riferimento all'immagine - A: Installare 2 dadi a T nel canale inferiore per il palo di montaggio ButtKicker, installare 2 dadi a T nel canale superiore di entrambe le barre di scorrimento del sedile. Quindi attaccare i feltrini alla parte inferiore B. Avvitare le linguette

dei cursori del sedile all'estremità delle barre dei cursori del sedile

### PASSAGGI DELLA PIATTAFORMA MOTION V3 SE NON HAI UNA PIATTAFORMA MOTION V3 SALTA AL PASSO 42

37: Fare riferimento all'immagine: (A) Applicare il feltro mostrato in verde sul fondo delle piastre dell'adattatore di movimento. (B) Far scorrere 2 dadi a T (ogni lato) nel canale superiore del telaio di base

38: Fare riferimento al bullone dell'immagine attraverso le piastre dell'adattatore di movimento nei dadi a T precedentemente installati dal punto 37

39: Fare riferimento all'immagine: unità di allineamento della piattaforma di movimento V3 con le piastre dell'adattatore di movimento

40: Fare riferimento all'immagine - Bolt through motion plate in Motion Platform V3

41: Fare riferimento all'immagine: imbullonare la staffa del sedile con 4 bulloni M8 nella parte superiore della piattaforma Motion V3, quindi fissarla con i dadi flangiati. (Gli utenti di Motion saltano al passaggio 47 per installare la piastra del cambio)

42: Fare riferimento all'immagine: imbullonare la staffa di allineamento sul cursore del sedile anteriore con la maniglia a cricchetto nei dadi a T precedentemente installati nei passaggi 1a e 1b

43: Fare riferimento all'immagine: allineare il cursore del sedile posteriore al telaio di base

44: Fare riferimento all'immagine - Ripetere il passaggio 42 con il cursore del sedile posteriore

45: Fare riferimento all'immagine - Allineare gli slot della staffa del sedile ai cursori del sedile

46: Fare riferimento all'immagine: imbullonare la staffa del sedile nei dadi a T precedentemente installati nel passaggio 36a

47: Fare riferimento all'immagine - Allineare i fori di montaggio della piastra del cambio al canale del braccio di supporto del cambio medio nella posizione preferita

48: Fare riferimento all'immagine - Piastra del cambio a bullone al braccio del cambio utilizzando i dadi a T precedentemente installati al punto 30a. Ripeti dall'altra parte

49: Fare riferimento all'immagine: Bolt ButtKicker Pole sul lato inferiore della barra trasversale del cursore del sedile utilizzando i dadi a T precedentemente installati al punto 36a

50: Fare riferimento all'immagine - Il tuo cockpit è ora pronto per essere montato sul sedile

51: Fare riferimento all'immagine - Allineare la clip del cavo con il canale (la clip del cavo può essere inserita solo dalla parte superiore del canale) Nota: premere la linguetta di posizionamento sul retro della clip

52: Fare riferimento all'immagine - Far scorrere il fermacavo in posizione

53: Fare riferimento all'immagine: installare 2 dadi a T nel canale laterale inferiore del braccio di supporto del cambio medio.

54: Fare riferimento all'immagine: avvitare il portautensile utilizzando i dadi a T precedentemente installati al punto 53

55: Fare riferimento all'immagine - Inserire gli strumenti nel portautensili

56: Fare riferimento all'immagine - Clip su tutti i tappi terminali. A: Allinea il cappuccio terminale all'angolo dell'estrusione. B: premere il centro del cappuccio terminale e allineare la linguetta al primo foro. Quindi allineare la seconda linguetta con il secondo foro. C:

Terminale finito

IL TUO ABITACOLO È COMPLETO È ora di installare la tua elettronica. Se hai domande sulla tua configurazione puoi contattarci direttamente a support@nextlevelracing.com oppure puoi unirti alla community su Discord o Facebook

### ATTACCO CAMBIO DIRETTO (OPZIONALE)

A: Fare riferimento all'immagine: installare i dadi a T nel canale inferiore interno sul grande braccio del cambio

B: Fare riferimento all'immagine: installare i cappucci terminali sul grande braccio del cambio

C: Fare riferimento all'immagine: allineare il braccio del cambio grande con la posizione desiderata sulla staffa del sedile

D: Fare riferimento all'immagine: avvitare i bulloni nei dadi a T precedentemente installati dal passaggio A

E: Fare riferimento all'immagine: installare 4 dadi a T sui canali all'esterno del braccio del cambio

F: Fare riferimento all'immagine: imbullonare la staffa di montaggio angolare del cambio ai dadi a T precedentemente installati nel passaggio E

### MONTAGGIO DEL CAMBIO DIRETTO SEDILE (OPZIONALE)

G: Fare riferimento all'immagine: imbullonare la staffa di montaggio angolare del cambio ai dadi a T precedentemente installati nel passaggio E

H: Fare riferimento all'immagine - Installare 2 x T-Nut nei canali come mostrato sul (piccolo) braccio verticale a montaggio diretto del cambio

I: Fare riferimento all'immagine: staffa del braccio del cambio angolare con bullone al braccio del cambio utilizzando i dadi a T precedentemente installati nel passaggio H

J: Fare riferimento all'immagine - Installare il cappuccio di plastica

K: Fare riferimento all'immagine: installare 4 dadi a T nei canali come mostrato

L: Fare riferimento all'immagine: imbullonare la piastra del cambio nei dadi a T precedentemente installati nel passaggio k. Regolare l'angolazione desiderata e serrare i bulloni per bloccarli in posizione

### FARE RIFERIMENTO ALL'IMMAGINE FINALE PER IL POZZETTO COMPLETO

FARE RIFERIMENTO ALL'IMMAGINE FINALE: TRAZIONE È F-GT Elite si monterà direttamente sulla piattaforma Traction Plus utilizzando 12 bulloni da 110 mm. 6 bulloni nella parte anteriore del telaio di base attraverso i fori preforati nell'estrusione di alluminio e 6 bulloni

nella parte posteriore del telaio di base attraverso i fori preforati nell'estrusione di base



support@nextlevelracing.com



Video Instruction: [bit.ly/nlrbuild](https://bit.ly/nlrbuild)

# ES

## Next Level Racing® F-GT Elite Manual de instrucciones TU VIAJE DE CARRERAS SIM COMIENZA AQUÍ

¡Sabemos que estás ansioso por empezar a correr! Tómese su tiempo con las instrucciones y siga esta guía para ensamblar su producto. Se preparará para el éxito siguiendo el folleto de instrucciones para optimizar completamente su producto.

Escanee el código QR para ver el video de instrucciones

Escanee el QR para seguir nuestros canales sociales

### COMPROBACIONES PREVIAS A LA CARRERA \*\*ADVERTENCIA\*\*

- No utilice herramientas eléctricas para el montaje, ya que un ajuste excesivo puede dañar el marco.
  - Asegúrese de que las tuercas en T estén colocadas correctamente dentro de la extrusión
  - Diseñe y construya la cabina sobre una superficie nivelada
  - No fuerce las piezas juntas
  - Evite los pernos de rosca cruzada
  - En caso de duda, consulte el video de instalación o contáctenos en support@nextlevelracing.com
  - El F-GT Elite es una construcción de 2 personas
- Si necesita asistencia con su producto, póngase en contacto con nuestro amable equipo en support@nextlevelracing.com

### ADVERTENCIA PELIGRO DE ASFIXIA

Piezas pequeñas no para niños menores de 3 años o cualquier persona que tenga tendencia a llevarse objetos no comestibles a la boca.

Escanee el código QR para ver el video de instrucciones

En el cuadro

Verifique las imágenes para asegurarse de que todas las partes estén incluidas en la caja

### PUNTAS DE EXTRUSIÓN DE ALUMINIO

- No utilice herramientas eléctricas para el montaje, ya que un ajuste excesivo puede dañar el marco.
- Asegúrese de que las tuercas en T estén colocadas correctamente dentro de la extrusión
- Diseñe y construya la cabina sobre una superficie nivelada
- No fuerce las piezas juntas
- Evite los pernos de rosca cruzada
- En caso de duda, consulte el video de instalación o contáctenos en support@nextlevelracing.com
- El F-GT Elite es una construcción para dos personas con la cabina completa y un movimiento para dos personas
- Tenga cuidado con los bordes afilados en las piezas de extrusión

CÓMO INSTALAR UNA TUERCA EN T (Desde el lateral) (Las tuercas en T también se pueden instalar desde el extremo de un canal abierto)

TUERCA CON RANURA EN T NORMAL (Solo se pueden instalar tuercas en T normales desde el lateral o desde los extremos) - Consulte la imagen.

Instale clips de cable en la ubicación que le gustaría durante la construcción. Dejar la instalación de los clips de cable para el final puede presentar problemas de instalación. Presione la pestaña de alineación en la parte posterior durante la instalación. Consulte la imagen.

### PUNTOS DE AJUSTE

El F-GT Elite es totalmente ajustable desde casi todos los puntos de conexión, lo que lo hace ideal para usuarios de todos los tamaños, ya sea en la posición GT o Formula. Utilice el nivel proporcionado junto con los marcadores de ajuste en el marco para asegurarse de obtener la alineación perfecta.

Consulte las imágenes para las tres posiciones.

01a: consulte la imagen. Deslice las tuercas en T en los canales exteriores izquierdos de la base principal. Nota: Deslice 2 x T-Nuts hacia el frente. PIEZAS 8 Tuercas en T de ancho completo M8. IMPORTANTE: Coloque las tuercas en T como se muestra en el diagrama a continuación en el exterior de la base izquierda (los puntos rojos son la ubicación de las tuercas en T)

Nota: Deslice 2 x T-Nuts hacia el frente para apoyar el pedal

Nota: Deslice 4 x T-Nuts hacia el medio para el poste de la rueda

Nota: Deslice 4 x T-Nuts hacia el medio para soporte de la palanca de cambios (elijá el lado)

Nota: Deslice 2 x T-Nuts hacia la parte trasera para los deslizadores del asiento

01b: consulte la imagen. Deslice las tuercas en T en los canales exteriores derechos en la base principal. Nota: Deslice 2 x T-Nuts hacia el frente. PIEZAS 12 Tuercas en T de ancho completo M8. IMPORTANTE: Coloque las tuercas en T como se muestra en el diagrama a continuación en el exterior de la base derecha (los puntos rojos son la ubicación de las tuercas en T). Nota: Deslice 2 x T-Nuts hacia la parte trasera para los deslizadores del asiento. Nota: Deslice 4 x T-Nuts hacia el medio para soporte de la palanca de cambios (elijá el lado). Nota: Deslice 4 x T-Nuts hacia el medio para el poste de la rueda. Nota: Deslice 2 x T-Nuts hacia el frente para apoyar el pedal.

\* HERRAMIENTAS RECOMENDADAS: consulte las imágenes

02: Consulte la imagen: atornille las piezas delantera y trasera a la base. Nota: la pieza delantera tiene el logotipo de Next Level Racing®

03: Consulte la imagen: repita el paso 2 en el lado opuesto

04: Consulte la imagen: instale los pies. Nota: La altura del pie se puede ajustar solo cuando está instalado en la cabina. Nota: la pestaña de alineación del pie debe asentarse en el canal.

05: Consulte la imagen: deslice la tuerca en T en el canal inferior

06: Consulte la imagen: atornille el pie en la tuerca en T instalada en el paso 5

07: Consulte la imagen: pestaña de alineación en el pie dentro del canal

08: consulte la imagen: apriete el tornillo dentro del pie con la llave Allen para bloquear la altura

09: Consulte la imagen: instale la placa en "T" correspondiente en las extrusiones verticales izquierda y derecha con las líneas grabadas con láser hacia el interior de la placa. Nota: Los huecos empotrados deben estar en el exterior. Nota: Las piezas están etiquetadas para aplicaciones del lado izquierdo y derecho.

10: Consulte la imagen: atornille el poste derecho al miembro de base derecho con las tuercas en T instaladas previamente en el paso 1b. Nota: Ángulo hacia la parte trasera de la imagen similar a la cabina que se muestra

11: Consulte la imagen: repita el paso 10 en el lado opuesto

12: Consulte la imagen: instale tuercas en T en los canales interiores de los postes de la rueda (ubicación de puntos rojos)

13: Consulte la imagen: instale almohadillas de fieltro (verdes) en los extremos de la placa de la rueda para evitar rayones al ajustar, luego atornille la placa de la rueda a los postes de la rueda con las tuercas en T instaladas previamente en el paso 12

14: Consulte la imagen: instale 2 tuercas en T en el canal frontal del poste de la rueda y repita en el otro lado (ubicación de puntos rojos)

15: Consulte la imagen: atornille el soporte de la placa del pedal al poste de la rueda con las tuercas en T instaladas previamente en el paso 14

16: Consulte la imagen: atornille los soportes de los brazos del pedal del paso 15 con los marcadores de línea hacia arriba. Luego instale 2 tapas de extremo NLR de 40x40. Nota: No apriete el soporte del pedal hasta que tenga la posición deseada.

17: Consulte la imagen: instale 4 tuercas en T en el canal superior de cada brazo de la placa del pedal (puntos rojos para la colocación de la tuerca en T) Nota: Utilice líneas láser de línea para facilitar la alineación.

18: Consulte la imagen: atornille las placas del pedal a los brazos del pedal con las ranuras \* una frente a la otra utilizando las tuercas en T instaladas previamente en el paso 17.

19: Consulte la imagen: instale 1 tuerca en T en el canal interior de cada brazo del pedal (puntos rojos para la colocación de la tuerca en T) Repita en el otro lado

20: Consulte la imagen: instale las barras de soporte del pedal en la base izquierda y la base derecha utilizando las tuercas en T instaladas en los pasos 1a y 1b. Repita en el otro lado.

21: consulte la imagen: elija el ángulo del pedal

22: Consulte la imagen: atornille las barras de soporte en las tuercas en T instaladas anteriormente en el paso 19. Repita en el otro lado.

23: Consulte la imagen: instale 4 tuercas en T en los canales exteriores de los postes de la rueda en el lado de la palanca de cambios de 1a o 1b. Nota: instale en el lado de la palanca de cambios desde 1a o 1b

24: Consulte la imagen: instale los soportes de la palanca de cambios en el poste de la rueda con las tuercas en T instaladas previamente en el paso 23.

25: Consulte la imagen: instale 4 tuercas en T en los canales superior e inferior del brazo de la palanca de cambios (brazo de la palanca de cambios de tamaño mediano de la página de contenido)

26: Consulte la imagen: seleccione su altura y luego atornille a través de los soportes de la palanca de cambios en las tuercas en T del paso 25

27: Consulte la imagen: atornille la placa de extensión de la palanca de cambios a la base (lado de la palanca de cambios) utilizando las tuercas en T instaladas previamente en el paso 1a o 1b. Nota: Agregue esta placa al mismo lado en el que instaló el soporte de la palanca de cambios. Nota: el soporte del brazo de la palanca de cambios debe estar inclinado hacia la parte posterior

28: Consulte la imagen: instale 4 tuercas en T en el canal interior de la barra de soporte de la palanca de cambios (el brazo de la palanca de cambios de tamaño más largo de la página de contenido). Deslícelos hacia la parte inferior de la barra para alinearlos con el soporte del paso 27 (puntos rojos para la colocación de la tuerca en T)

29: Consulte la imagen: atornille a través del soporte del brazo de la palanca de cambios en las tuercas en T instaladas previamente desde el paso 28

30a: consulte la imagen: instale 2 tuercas en T en cada uno de los canales laterales superiores (resaltados en azul)

30b: consulte la imagen: instale 1 tuerca en T en cada uno de los canales exteriores (resaltados en azul)

31: Consulte la imagen: deslice el brazo de cambio grande y el soporte de montaje de la esquina de cambio para alinearlos con el brazo de soporte de cambio mediano como se muestra

32: Consulte la imagen: atornille a través del soporte en el brazo de cambio grande con las tuercas en T instaladas previamente en el paso 30b

33: Consulte la imagen: instale 2 tuercas en T en el canal inferior del brazo de soporte de la palanca de cambios mediana y luego atornille a través del soporte de la esquina de montaje de la palanca de cambios en las tuercas en T

34a: Consulte la imagen: estas instrucciones ayudan con el paso 34b: (1) Alinee la tuerca en T con el canal (2) Coloque la tuerca en T de lado en el canal (3) Empuje la tuerca en T en el canal (4) Alinee dentro el canal empujando en un borde (5) Empuje al ras (para más detalles, consulte la página 8)

34b: Consulte la imagen: utilizando el paso 34a, instale 2 tuercas en T en la parte superior dentro del canal de cada base (los puntos rojos muestran la ubicación de la tuerca en T). Nota: 2 x T-Nuts en la parte superior dentro del canal del marco base. Repita en el otro lado.

35: Consulte la imagen: atornille la placa de paso en las tuercas en T instaladas previamente en el paso 34b

36: Consulte la imagen: A: Instale 2 x T-Nuts en el canal inferior para el poste de montaje ButtKicker, instale 2x T-Nuts en el canal superior de ambas barras deslizantes del asiento. Luego, coloque las almohadillas de fieltro en la parte inferior B: Atornille las lengüetas deslizantes del asiento al extremo de las barras deslizantes del asiento

### PASOS DE LA PLATAFORMA MOTION V3 SI NO TIENE UNA PLATAFORMA MOTION V3 SALTE AL PASO 42

37: Consulte la imagen: (A) Aplique el fieltro que se muestra en verde en la parte inferior de las placas adaptadoras de movimiento. (B) Deslice 2 x T-Nuts (cada lado) en el canal superior del marco base

38: Consulte la imagen: perno a través de las placas adaptadoras de movimiento en las tuercas en T instaladas previamente desde el paso 37

39: Consulte la imagen: Alinee la unidad Motion Platform V3 con placas adaptadoras de movimiento

40: Consulte la imagen: atornille a través de la placa de movimiento en Motion Platform V3

41: Consulte la imagen: atornille el soporte del asiento con 4 pernos M8 en la parte superior de la plataforma Motion V3 y luego asegúrelo con tuercas de brida. (Los usuarios de Motion pasan al paso 47 para instalar la placa de la palanca de cambios)

42: Consulte la imagen: atornille a través del soporte de alineación en el control deslizante del asiento delantero con el mango de trinquete en las tuercas en T instaladas previamente en los pasos 1a y 1b

43: Consulte la imagen: alinee el control deslizante del asiento trasero con el marco de la base

44: Consulte la imagen: repita el paso 42 con el control deslizante del asiento trasero

45: Consulte la imagen: alinee las ranuras del soporte del asiento con los deslizadores del asiento

46: Consulte la imagen: atornille el soporte del asiento en las tuercas en T instaladas previamente en el paso 36a

47: Consulte la imagen: alinee los orificios de montaje de la placa de la palanca de cambios con el canal del brazo de soporte de la palanca de cambios media en la posición preferida

48: Consulte la imagen: atornille la placa de la palanca de cambios al brazo de la palanca de cambios con las tuercas en T instaladas previamente en el paso 30a. Repita en el otro lado

49: Consulte la imagen: perno ButtKicker Pole en la parte inferior de la barra transversal deslizante del asiento utilizando T-Nuts previamente instalados en el paso 36a

50: Consulte la imagen: su cabina ahora está lista para montarla en el asiento

51: Consulte la imagen: alinee el clip del cable con el canal (el clip del cable solo se puede insertar desde la parte superior del canal) Nota: Presione la pestaña del localizador en la parte posterior del clip

52: Consulte la imagen: deslice el clip del cable en su lugar

53: Consulte la imagen: instale 2 tuercas en T en el canal lateral inferior del brazo de soporte de la palanca de cambios mediana.

54: Consulte la imagen: atornille el portaherramientas con las tuercas en T instaladas previamente en el paso 53

55: Consulte la imagen: inserte herramientas en el portaherramientas

56: Consulte la imagen: clip en todas las tapas de los extremos. R: Alinee la tapa del extremo con la esquina de la extrusión. B: Presione el centro de la tapa del extremo y alinee la pestaña con el primer orificio. Luego, alinee la segunda pestaña con el segundo orificio.

C: tapa final acabada

SU CABINA ESTÁ COMPLETA Es hora de instalar sus dispositivos electrónicos. Si tiene alguna pregunta sobre su configuración, puede contactarnos directamente en support@nextlevelracing.com o puede unirse a la comunidad en Discord o Facebook.

### MONTAJE DIRECTO DEL CAMBIO (OPCIONAL)

R: Consulte la imagen: instale las tuercas en T en el canal inferior interior del brazo de cambio grande

B: consulte la imagen: instale las tapas de los extremos en el brazo de cambio grande

C: consulte la imagen: alinee el brazo de cambio grande con la posición deseada en el soporte del asiento

D: Consulte la imagen: atornille los pernos en las tuercas en T instaladas previamente desde el paso A

E: consulte la imagen: instale 4 tuercas en T en los canales en el exterior del brazo de la palanca de cambios

F: Consulte la imagen: atornille el soporte de montaje de la esquina de la palanca de cambios a las tuercas en T instaladas previamente en el paso E

### MONTAJE DE CAMBIO DIRECTO DE ASIENTO (OPCIONAL)

G: Consulte la imagen: atornille el soporte de montaje de la esquina de la palanca de cambios a las tuercas en T instaladas previamente en el paso E

H: Consulte la imagen: instale 2 tuercas en T en los canales como se muestra en el brazo vertical de montaje directo del cambiador (pequeño)

I: Consulte la imagen: perno el soporte del brazo de la palanca de cambios de esquina al brazo de la palanca de cambios utilizando tuercas en T instaladas previamente en el paso H

J: consulte la imagen: instale la tapa de plástico

K: Consulte la imagen: instale 4 tuercas en T en los canales como se muestra

L: Consulte la imagen: atornille a través de la placa de la palanca de cambios en las tuercas en T instaladas previamente en el paso k. Ajustelo al ángulo deseado y apriete los pernos para bloquearlos en su lugar

### CONSULTE LA IMAGEN FINAL DE LA CABINA COMPLETA

CONSULTE LA IMAGEN FINAL: TRACCIÓN: El F-GT Elite se montará directamente en la plataforma Traction Plus con 12 pernos de 110 mm. 6 pernos en la parte delantera del marco de la base a través de los orificios pretaladrados en la extrusión de aluminio y 6 pernos en la parte posterior del marco de la base a través de los orificios pretaladrados en la extrusión de la base



support@nextlevelracing.com



Video Instruction: bit.ly/nlrbuid

DE

### Next Level Racing® F-GT Elite Bedienungsanleitung IHRE SIM-RACING-REISE BEGINNT HIER

Wir wissen, dass Sie bereit sind, Rennen zu fahren! Nehmen Sie sich Zeit mit den Anweisungen und befolgen Sie diese Anleitung, um Ihr Produkt zusammenzubauen. Sie können sich auf den Erfolg einstellen, indem Sie die Bedienungsanleitung befolgen, um Ihr Produkt vollständig zu optimieren.

Scannen Sie den QR-Code nach Anleitungsvideos

Scannen Sie den QR, um unseren sozialen Kanälen zu folgen P

#### RÜFUNGEN VOR DEM RENNEN

##### \*\*WARNUNG\*\*

- Verwenden Sie zur Montage keine Elektrowerkzeuge, da ein zu festes Anziehen Ihren Rahmen beschädigen kann
- Bitte stellen Sie sicher, dass die T-Muttern korrekt in der Extrusion platziert sind
- Layouten und bauen Sie das Cockpit auf einer ebenen Fläche
- Drücken Sie keine Teile zusammen
- Vermeiden Sie Kreuzgewindeschrauben

• Im Zweifelsfall konsultieren Sie das Installationsvideo oder kontaktieren Sie uns unter support@nextlevelracing.com

• Der F-GT Elite ist ein 2-Personen-Build

Wenn Sie Unterstützung für Ihr Produkt benötigen, wenden Sie sich bitte an unser freundliches Team unter support@nextlevelracing.com

WARNUNG Drosselgefahr

Kleinteile nicht für Kinder unter 3 Jahren oder Personen, die dazu neigen, ungenießbare Gegenstände in den Mund zu nehmen.

Scannen Sie den QR-Code nach Anleitungsvideos

In der Box

Überprüfen Sie die Bilder, um sicherzustellen, dass alle Teile in der Box enthalten sind

#### ALUMINIUM-EXTRUSIONSTIPPS

- Verwenden Sie zur Montage keine Elektrowerkzeuge, da ein zu festes Anziehen Ihren Rahmen beschädigen kann
- Bitte stellen Sie sicher, dass die T-Muttern korrekt in der Extrusion platziert sind
- Layouten und bauen Sie das Cockpit auf einer ebenen Fläche
- Drücken Sie keine Teile zusammen
- Vermeiden Sie Kreuzgewindeschrauben

• Im Zweifelsfall konsultieren Sie das Installationsvideo oder kontaktieren Sie uns unter support@nextlevelracing.com

• Der F-GT Elite ist ein Zwei-Personen-Bau mit dem kompletten Cockpit für zwei Personen

• Achten Sie auf scharfe Kanten an den Extrusionsstücken

SO INSTALLIEREN SIE EINE T-MUTTER (von der Seite) (T-Nüsse können auch am Ende eines offenen Kanals installiert werden)

NORMALE T-SLOT-MUTTER (Nur normale T-Nuts können von der Seite oder von den Enden installiert werden) - Siehe Abbildung.

Installieren Sie die Kabelklemmen an der Stelle, an der Sie sie während des Aufbaus haben möchten. Wenn Sie die Installation der Kabelklemmen bis zum Ende belassen, kann dies zu Installationsproblemen führen. Drücken Sie während der Installation auf die Ausrichtungslasche auf der Rückseite. Bitte beziehen Sie sich auf das Bild.

#### EINSTELLPUNKTE

Der F-GT Elite ist von fast jedem Befestigungspunkt aus vollständig einstellbar und eignet sich daher hervorragend für Benutzer aller Größen, unabhängig davon, ob sie sich in GT- oder Formelposition befinden. Verwenden Sie die mit den Einstellmarkierungen am Rahmen bereitgestellte Ebene, um sicherzustellen, dass Sie die perfekte Ausrichtung erhalten.

Bitte beachten Sie die Bilder für die drei Positionen

01a: Bitte beachten Sie das Bild. Schieben Sie die T-Muttern in die linken Außenkanäle der Hauptbasis. Hinweis: Schieben Sie 2 x T-Muttern nach vorne. TEILE 8 X M8 Vollmuttern. WICHTIG: Platzieren Sie die T-Muttern wie in der Abbildung unten gezeigt an der Außenseite der linken Basis (rote Punkte sind die Platzierung der T-Muttern).

Hinweis: Schieben Sie 2 x T-Muttern zur Pedalunterstützung nach vorne

Hinweis: Schieben Sie 4 x T-Muttern für den Radpfosten in die Mitte

Hinweis: Schieben Sie 4 x T-Muttern zur Unterstützung des Schalters in die Mitte (Seite auswählen).

Hinweis: Schieben Sie 2 x T-Muttern für Sitzschieber nach hinten

01b: Bitte beachten Sie das Bild. Schieben Sie die T-Muttern in die rechten Außenkanäle der Hauptbasis. Hinweis: Schieben Sie 2 x T-Muttern nach vorne. TEILE 12 X M8 Vollmuttern. WICHTIG: Platzieren Sie die T-Muttern wie in der Abbildung unten gezeigt an der Außenseite der rechten Basis (rote Punkte sind die Platzierung der T-Muttern). Hinweis: Schieben Sie 2 x T-Muttern für Sitzschieber nach hinten. Hinweis: Schieben Sie 4 x T-Muttern zur Unterstützung des Schalters in die Mitte (wählen Sie die Seite). Hinweis: Schieben Sie 4 x T-Muttern für den Radpfosten in die Mitte. Hinweis: Schieben Sie 2 x T-Muttern zur Pedalunterstützung nach vorne.

\* EMPFOHLENE WERKZEUGE - Bitte beachten Sie die Bilder

02: Bitte beziehen Sie sich auf das Bild - Schrauben Sie die Vorder- und Rückseite an der Basis fest. Hinweis: Das Vorderteil hat das Next Level Racing® Logo

03: Siehe Bild - Wiederholen Sie Schritt 2 auf der gegenüberliegenden Seite

04: Bitte beziehen Sie sich auf das Bild - Füße installieren. Hinweis: Die Höhe des Fußes kann nur angepasst werden, wenn er im Cockpit installiert ist. Hinweis: Die Registerkarte für die Fußausrichtung sollte im Kanal sitzen.

05: Siehe Bild - Schieben Sie die T-Mutter in den unteren Kanal

06: Bitte beziehen Sie sich auf das Bild - Schrauben Sie den Fuß in die T-Mutter, die in Schritt 5 installiert wurde

07: Weitere Informationen finden Sie auf der Registerkarte Bildausrichtung am Fuß im Kanal

08: Bitte beachten Sie das Bild - Ziehen Sie die Schraube im Fuß mit dem Inbusschlüssel fest, um die Höhe zu sichern

09: Siehe Abbildung. Installieren Sie die entsprechende T-Platte auf den linken und rechten vertikalen Extrusionen, wobei die lasergravierten Linien zur Platte nach innen zeigen. Hinweis: Aussparungen müssen außen sein. Hinweis: Teile sind für Anwendungen auf der linken und rechten Seite gekennzeichnet.

10: Bitte beziehen Sie sich auf das Bild - Verschraubung des rechten Pfostens mit den zuvor in Schritt 1b installierten T-Muttern am rechten Basiselement. Hinweis: Winkel zur Rückseite des gezeigten Cockpit-ähnlichen Bildes

11: Siehe Bild - Wiederholen Sie Schritt 10 auf der gegenüberliegenden Seite

12: Siehe Abbildung - Installieren Sie die T-Muttern an den Innenkanälen der Radpfosten (Platzierung der roten Punkte).

13: Siehe Abbildung - Installieren Sie Filzgleiter (grün) an den Enden der Radplatte, um Kratzer beim Einstellen zu vermeiden, und schrauben Sie die Radplatte dann mit den zuvor in Schritt 12 installierten T-Muttern an den Radpfosten fest

14: Siehe Abbildung - Installieren Sie 2 x T-Muttern im vorderen Kanal des Radpfostens und wiederholen Sie dies auf der anderen Seite (Platzierung der roten Punkte).

15: Bitte beziehen Sie sich auf die Abbildung - Schrauben Sie die Pedalplattenhalterung mit den zuvor in Schritt 14 installierten T-Muttern an den Radpfosten

16: Siehe Bild - Durch die Pedalarmhalterungen aus Schritt 15 schrauben, wobei die Linienmarkierungen nach oben zeigen. Installieren Sie dann 2 NLR-Endkappen (40 x 40). Hinweis: Ziehen Sie die Pedalhalterung erst fest, wenn Sie die gewünschte Position erreicht haben.

17: Siehe Abbildung - Installieren Sie 4 x T-Muttern im oberen Kanal jedes Pedalplattenarms (rote Punkte für die Platzierung der T-Mutter). Hinweis: Verwenden Sie zur einfachen Ausrichtung Linienlaseralinien.

18: Bitte beziehen Sie sich auf die Abbildung - Schrauben Sie die Pedalplatten an den Pedalarmen mit den Schlitzen \* zueinander, indem Sie die zuvor in Schritt 17 installierten T-Muttern verwenden.

19: Siehe Abbildung - Installieren Sie 1 T-Mutter in den inneren Kanal jedes Pedalarms (rote Punkte für die Platzierung der T-Mutter). Wiederholen Sie diesen Vorgang auf der anderen Seite

20: Siehe Abbildung - Installieren Sie die Pedalstützstangen links und rechts unten mit den in den Schritten 1a und 1b installierten T-Muttern. Wiederholen Sie auf der anderen Seite.

21: Bitte beachten Sie das Bild - Wählen Sie den Pedalwinkel

22: Bitte beziehen Sie sich auf das Bild - Durch die Stützstangen in die zuvor in Schritt 19 installierten T-Muttern schrauben. Wiederholen Sie dies auf der anderen Seite.

23: Siehe Abbildung - Installieren Sie 4 x T-Muttern von 1a oder 1b in die Außenkanäle der Radpfosten auf der Schalterseite. Hinweis: Installieren Sie von 1a oder 1b auf Ihrer Schalterseite

24: Siehe Abbildung - Installieren Sie die Schalthebelhalterungen mit den zuvor in Schritt 23 installierten T-Muttern am Radpfosten.

25: Siehe Abbildung - Installieren Sie 4 x T-Muttern in den oberen und unteren Kanälen des Schaltarms (mittelgroßer Schaltarm von der Inhaltsseite).

26: Bitte beziehen Sie sich auf das Bild. Wählen Sie Ihre Höhe und schrauben Sie die Schalthebelhalterungen ab Schritt 25 in die T-Muttern

27: Bitte beziehen Sie sich auf die Bild-Bolt-Shifter-Verlängerungsplatte an der Basis (Shifter-Seite) unter Verwendung der zuvor in Schritt 1a oder 1b installierten T-Muttern. Hinweis: Fügen Sie diese Platte an der Seite hinzu, an der Sie die Schalthebelhalterung installiert haben. Hinweis: Die Schaltarmhalterung sollte nach hinten abgewinkelt sein

28: Siehe Abbildung - Installieren Sie 4 x T-Muttern im Innenkanal der Schalthebelhalterung (Schalthebel mit der längsten Größe von der Inhaltsseite). Schieben Sie sie an die Unterseite der Stange, um sie an der Halterung aus Schritt 27 auszurichten (rote Punkte für die Platzierung der T-Mutter).

29: Bitte beziehen Sie sich auf das Bild - Schraube durch Schaltarmhalterung in zuvor installierte T-Muttern aus Schritt 28

30a: Siehe Abbildung - Installieren Sie 2 x T-Muttern in jedem der oberen Seitenkanäle (blau hervorgehoben).

30b: Siehe Abbildung - Installieren Sie 1 x T-Mutter in jedem der äußeren Kanäle (blau hervorgehoben).

31: Bitte beziehen Sie sich auf das Bild. Schieben Sie den großen Schaltarm und die Halterung für die Schiebepumpe, um sie wie gezeigt am mittleren Schalthebel auszurichten

32: Bitte beziehen Sie sich auf das Bild. Schrauben Sie mit den zuvor in Schritt 30b installierten T-Muttern durch die Halterung in den großen Schaltarm

33: Siehe Abbildung - Installieren Sie 2 x T-Muttern im unteren Kanal des mittleren Schalthebel-Stützarms und schrauben Sie sie dann durch die Eckhalterung für die Schalthebelmontage in die T-Muttern

34a: Siehe Abbildung. Diese Anweisungen helfen bei Schritt 34b: (1) Richten Sie die T-Mutter seitlich auf den Kanal aus. (2) Setzen Sie die T-Mutter seitlich in den Kanal ein. (3) Schieben Sie die T-Mutter in den Kanal. (4) Richten Sie sie innerhalb des Kanals aus Drücken Sie den Kanal auf eine Kante (5). Drücken Sie bündig (weitere Einzelheiten siehe Seite 8).

34b: Siehe Abbildung. Installieren Sie mit Schritt 34a 2 x T-Mutter oben im Kanal jeder Basis (rote Punkte zeigen die Platzierung der T-Mutter an). Hinweis: 2 x T-Muttern oben im Kanal des Grundrahmens. Wiederholen Sie auf der anderen Seite.

35: Bitte beziehen Sie sich auf das Bild - Durchschrauben der Stufenplatte in die zuvor in Schritt 34b installierten T-Muttern

36: Siehe Abbildung A: Installieren Sie 2 x T-Muttern im unteren Kanal für die ButtKicker-Montagegestange. Installieren Sie 2x T-Muttern im oberen Kanal beider Sitzschiebestangen. Befestigen Sie dann Filzgleiter an der Unterseite B: Schrauben Sie die Sitzschieberlaschen am Ende der Sitzschieberstangen fest

#### BEWEGUNGSPLATTFORM V3 SCHRITTE, WENN SIE KEINE BEWEGUNGSV3-PLATTFORM HABEN, WEITER ZU SCHRITT 42

37: Bitte beachten Sie das Bild - (A) Tragen Sie den grün dargestellten Filz auf die Unterseite der Bewegungsadapterplatten auf. (B) Schieben Sie 2 x T-Muttern (jede Seite) in den oberen Kanal des Grundrahmens

38: Bitte beziehen Sie sich auf den Bildbolzen durch die Bewegungsadapterplatten in die zuvor installierten T-Muttern aus Schritt 37

39: Weitere Informationen finden Sie in der Abbildung - Motion Plattform V3-Einheit mit Bewegungsadapterplatten ausrichten

40: Bitte beziehen Sie sich auf das Bild - Durch die Bewegungsplatte in die Bewegungsplattform V3 schrauben

41: Bitte beachten Sie das Bild - Durchschrauben der Sitzhalterung mit 4 x M8-Schrauben oben auf der Motion V3-Plattform und anschließende Befestigung mit Flanschmuttern. (Motion-Benutzer fahren mit Schritt 47 fort, um die Schaltplatte zu installieren.)

42: Bitte beziehen Sie sich auf das Bild - Durchschrauben der Ausrichtungshalterung am Schieber des Vordersitzes mit dem Ratschengriff in die zuvor in Schritt 1a und 1b installierten T-Muttern

43: Bitte beachten Sie das Bild - Richten Sie den Schieberegler für den Rücksitz am Grundrahmen aus

44: Siehe Bild - Wiederholen Sie Schritt 42 mit dem Schieberegler für den Rücksitz

45: Siehe Bild - Richten Sie die Schlitze der Sitzhalterung an den Sitzschiebern aus

46: Bitte beziehen Sie sich auf das Bild - Durch die Sitzhalterung in die zuvor in Schritt 36a installierten T-Muttern schrauben

47: Siehe Abbildung - Richten Sie die Befestigungslöcher der Schaltplatte an der bevorzugten Position am Kanal des mittleren Schalthebelstützarms aus

48: Bitte beziehen Sie sich auf die Abbildung - Schalthebelplatte zum Schaltarm mit den zuvor in Schritt 30a installierten T-Muttern. Wiederholen Sie auf der anderen Seite

49: Bitte beziehen Sie sich auf das Bild - Bolt ButtKicker Pole an der Unterseite der Sitzschieber-Querstange mit T-Muttern, die zuvor in Schritt 36a installiert wurden

50: Bitte beachten Sie das Bild. Ihr Cockpit kann jetzt am Sitz montiert werden

51: Siehe Abbildung - Kabelclip am Kanal ausrichten (Kabelclip kann nur von oben in den Kanal eingeführt werden). Hinweis: Drücken Sie die Positionierungslasche auf der Rückseite des Clips

52: Bitte beachten Sie das Bild - Schieben Sie den Kabelclip in Position

53: Siehe Abbildung - Installieren Sie 2 x T-Muttern im unteren Seitenkanal des mittleren Schalthebelstützarms.

54: Bitte beziehen Sie sich auf das Bild - Schrauben Sie den Werkzeughalter mit den zuvor in Schritt 53 installierten T-Muttern durch

55: Bitte beachten Sie das Bild - Werkzeuge in den Werkzeughalter einsetzen

56: Bitte beachten Sie den Bildclip an allen Endkappen. A: Richten Sie die Endkappe an der Ecke der Extrusion aus. B: Drücken Sie auf die Mitte der Endkappe und richten Sie die Lasche am ersten Loch aus. Richten Sie dann die zweite Lasche am zweiten Loch aus. C: Fertige Endkappe

IHR COCKPIT IST VOLLSTÄNDIG Es ist Zeit, Ihre Elektronik zu installieren. Wenn Sie Fragen zu Ihrem Setup haben, können Sie uns direkt unter support@nextlevelracing.com kontaktieren oder der Community auf Discord oder Facebook beitreten

#### DIRECT SHIFTER MOUNT (OPTIONAL)

A: Siehe Abbildung - Installieren Sie die T-Muttern im unteren unteren Kanal des großen Schaltarms

B: Siehe Abbildung - Installieren Sie die Endkappen am großen Schaltarm

C: Bitte beachten Sie das Bild. Richten Sie den großen Schaltarm mit der gewünschten Position an der Sitzhalterung aus

D: Bitte beziehen Sie sich auf das Bild - Schrauben in die zuvor installierten T-Muttern aus Schritt A einschrauben

E: Siehe Abbildung - Installieren Sie 4 x T-Muttern an den Kanälen an der Außenseite des Schaltarms

F: Bitte beziehen Sie sich auf das Bild. Schrauben Sie die Halterung für die Schiebepumpe an die zuvor in Schritt E installierten T-Muttern

#### SEAT DIRECT SHIFTER MOUNT (OPTIONAL)

G: Bitte beziehen Sie sich auf das Bild. Schrauben Sie die Halterung für die Schiebepumpe an die zuvor in Schritt E installierten T-Muttern

H: Bitte beziehen Sie sich auf das Bild. Installieren Sie 2 x T-Mutter in den Kanälen, wie auf dem (kleinen) vertikal montierten (kleinen) Schalthebel gezeigt

I: Bitte beziehen Sie sich auf die Abbildung - Bolt Corner Shifter-Armhalterung am Schaltarm mit T-Muttern, die zuvor in Schritt H installiert wurden

J: Bitte beziehen Sie sich auf das Bild. Installieren Sie die Plastikcappe

K: Bitte beziehen Sie sich auf das Bild - Installieren Sie 4 x T-Mutter wie gezeigt in den Kanälen

L: Bitte beziehen Sie sich auf die Abbildung - Schraube durch die Schaltplatte in die zuvor in Schritt k installierten T-Muttern. Stellen Sie den gewünschten Winkel ein und ziehen Sie die Schrauben fest, um sie zu arretieren

#### VERWEISEN SIE AUF DAS ENDGÜLTIGE BILD FÜR DAS VOLLSTÄNDIGE COCKPIT

VERWEIS AUF DAS ENDGÜLTIGE BILD: TRAKTION: Der F-GT Elite wird mit 12 x 110 mm Schrauben direkt an der Traction Plus-Plattform montiert. 6 x Schraube an der Vorderseite des Grundrahmens durch die vorgebohrten Löcher in der Aluminiumextrusion und 6 x Schraube an der Rückseite des Grundrahmens durch die vorgebohrten Löcher in der Basisextrusion



support@nextlevelracing.com

## JP

NextLevelRacing-F-GTElite取扱説明書

あなたのSTMレーシングジャーニーはここから始まります

あなたがレースを始めたいと思っていることを私たちは知っています! 指示に従って時間をかけて、このガイドに従って製品を組み立ててください。取扱説明書に従って製品を完全に最適化することで、成功への準備を整えます。

QRコードをスキャンして説明ビデオを探します

QRをスキャンして、ソーシャルチャネルをフォローします

レース前のチェック

\*\*警告\*\*

- 締めすぎるとフレームが損傷する可能性があるため、組み立てに電動工具を使用しないでください。
- Tナットが押し出し内に正しく配置されていることを確認してください
- 水平な面にコックピットをレイアウトして構築する
- 部品を無理に押し込まないでください
- クロススレッドボルトは避けてください
- 疑問がある場合は、インストールビデオを参照するか、support@nextlevelracing.comまでお問い合わせください。
- F-GTElineは2人用です

製品のサポートが必要な場合は、support@nextlevelracing.comで私たちのフレンドリーなチームに連絡してください

警告室息の危険性

3歳未満の子供や食べられないものを口に入れる傾向のある人向けではない小さな部品。

QRコードをスキャンして説明ビデオを探します

箱の中に

画像をチェックして、すべてのパーツがすべてボックスに含まれていることを確認します

アルミニウム押し出しのヒント

- 締めすぎるとフレームが損傷する可能性があるため、組み立てに電動工具を使用しないでください。
- Tナットが押し出し内に正しく配置されていることを確認してください
- 水平な面にコックピットをレイアウトして構築する
- 部品を無理に押し込まないでください
- クロススレッドボルトは避けてください
- 疑問がある場合は、インストールビデオを参照するか、support@nextlevelracing.comまでお問い合わせください。
- F-GTElineは、完全なコックピットを2人で移動する2人用ビルドです。
- 押し出し部品の鋭いエッジに注意してください

Tナットの取り付け方法（側面から）（Tナットは開水路の端から取り付けることもできます）

通常のTナット（通常のTナットのみを側面または端から取り付けることができます）-画像を参照してください。

ビルド中にケーブルクリップを希望の場所に取り付けます。ケーブルクリップの取り付けを最後まで残すと、取り付けの問題が発生する可能性があります。インストール中に、背面の位置合わせタブを押し下げます。画像をご参照ください。

調整ポイント

F-GT Eliteは、ほぼすべての取り付けポイントから完全に調整可能であるため、GTまたはフォーミュラの位置にあるかどうかにかかわらず、すべてのサイズユーザーに最適です。フレームの調整マーカーと一緒に提供されるレベルを使用して、完全な位置合わせが行われるようにします。

3つの位置については画像を参照してください

01a: 画像を参照してください。Tナットをメインベースの左側の外側のチャンネルにスライドさせます。注: 2xTナットを前にスライドさせます。パーツ&XM8全幅Tナット。重要: 下の図に示すように、左側のベースの外側にTナットを配置します（赤い点はTナットの配置です）

注: ベダルをサポートするために、2xTナットを前にスライドさせます

注: ホイールポストの中央に4xTナットをスライドさせます

注: シフターサポートのために4xTナットを中央にスライドさせます（側を選択）

注: シートスライダー用に2xTナットを後方にスライドさせます

01b: 画像を参照してください。Tナットをメインベースのすぐ外側のチャンネルにスライドさせます。注: 2xTナットを前にスライドさせます。パーツ12XM8全幅Tナット。重要: 下の図に示すように、右側のベースの外側にTナットを配置します（赤い点はTナットの配置です）。注: シートスライダー用に2xTナットを後方にスライドさせます。注: シフターをサポートするために、4xTナットを中央にスライドさせます（側面を選択）。注: ホイールポストの中央に4xTナットをスライドさせます。注: ベダルをサポートするために、2xTナットを前方にスライドさせます。

\*推奨ツール-画像を参照してください

02: 画像を参照してください-前後の部品をベースにボルトで固定します。注: フロントピースにはNextLevelRacingのロゴがあります

03: 画像を参照してください-反対側で手順2を繰り返します

04: 画像を参照してください-足を取り付けます。注: 足の高さは、コックピットに取り付けられている場合にのみ調整できます。注: フットライメントタブはチャンネルに配置する必要があります。

05: 画像を参照してください-Tナットを下のチャンネルにスライドさせます

06: 画像を参照してください-ステップ5で取り付けたTナットに足をねじ込みます

07: 画像を参照してください-チャンネル内の足の[位置合わせ]タブ

08: 画像を参照してください-六角レンチで足の内側のネジを締めて高さをロックします

09: 画像を参照してください-対応する「T」プレートを左右の垂直押し出し材に取り付け、レーザー彫刻された線をプレートの内側に向けます。注: くぼみの穴は外側にあります。注: パーツには、左側と右側のアプリケーション用にラベルが付けられています。

10: 画像を参照してください-前に手順1bで取り付けたTナットを使用して、右の支柱を右のベースメンバーにボルトで固定します。注: 示されているコックピットのような画像の後方への角度

11: 画像を参照してください-反対側で手順1eを繰り返します

12: 画像を参照してください-ホイールポストの内側のチャンネルにTナットを取り付けます（赤い点の配置）

13: 画像を参照してください-調整時の引っかき傷を避けるためにホイールプレートの端にフェルトパッド（緑）を取り付けてから、手順12で以前に取り付けたTナットを使用してホイールプレートをホイールポストにボルトで固定します

14: 画像を参照してください-2xTナットをホイールポストのフロントチャンネルに取り付け、反対側で繰り返します（赤い点の配置）

15: 画像を参照してください-ステップ14で以前に取り付けたTナットを使用してベダルプレートブラケットをホイールポストにボルトで固定します

16: 画像を参照してください-ラインマーカーを上に向けて、手順15のベダルアームブラケットをボルトで固定します。次に、2x40s40NLRエンドキャップを取り付けます。注: 希望の位置になるまでベダルブラケットを締めないでください。

17: 画像を参照してください-4xTナットを各ベダルプレートアームの上部チャンネルに取り付けます（Tナットの配置には赤い点）注: 位置合わせを簡単にするためにラインレーザーラインを使用してください。

18: 画像を参照してください-前に手順17で取り付けたTナットを使用して、スロットが向かい合った状態でベダルプレートをベダルアームにボルトで固定します。

19: 画像を参照してください-1つのTナットを各ベダルアームの内側のチャンネルに取り付けます（Tナットの配置は赤い点）反対側で繰り返します

20: 画像を参照してください-ステップ1aおよび1bで取り付けたTナットを使用して、ベダルサポートバーをベースの左とベースの右に取り付けます。反対側で繰り返します。

21: 画像を参照してください-ベダル角度を選択してください

22: 画像を参照してください-ステップ19で前に取り付けたTナットにサポートバーをボルトで固定します。反対側で繰り返します。

23: 画像を参照してください-1aまたは1bからシフター側のホイールポストの外側のチャンネルに4つのTナットを取り付けます。注: 1aまたは1bからシフター側に取り付けます

24: 画像を参照してください-前に手順23で取り付けたTナットを使用して、シフターブラケットをホイールポストに取り付けます。

25: 画像を参照してください-4xTナットをシフターアームの上部と下部のチャンネルに取り付けます（コンテンツページの中型シフターアーム）

26: 画像を参照してください-身長を選択し、ステップ25からシフターブラケットをTナットにボルトで固定します

27: 画像を参照してください-ステップ1aまたは1bで以前に取り付けたTナットを使用して、ベース（シフター側）にシフター延長プレートをボルトで固定します。注: このプレートは、シフターブラケットを取り付けたのと同じ側に追加します。注: シフターアームブラケットは後方に向けて角度を付ける必要があります

28: 画像を参照してください-4xTナットをシフターサポートバーの内側のチャンネルに取り付けます（コンテンツページから最も長いサイズのシフターアーム）。それらをバーの下部にスライドさせて、手順27のブラケットと揃えます（Tナットの配置用の赤い点）

29: 画像を参照してください-ステップ28からシフターアームブラケットを以前に取り付けたTナットにボルトで固定します

30a: 画像を参照してください-2つのTナットを上部の各チャンネルに取り付けます（青色で強調表示）

30b: 画像を参照してください-1xTナットを各外部チャンネルに取り付けます（青色で強調表示）

31: 画像を参照してください-図のように、大型シフターアームとシフターコーナー取り付けブラケットをスライドさせて、中型シフターサポートアームに合わせませう。

32: 画像を参照してください-ステップ30bで以前に取り付けたTナットを使用して、ブラケットを大きなシフターアームにボルトで固定します

33: 画像を参照してください-2xTナットをメディアムシフターサポートアームの下部チャンネルに取り付けてから、シフター取り付けコーナーブラケットを介してTナットにボルトで固定します

34a: 画像を参照してください-これらの手順はステップ34bに役立ちます: (1) Tナットをチャンネルに位置合わせします (2) Tナットをチャンネルに横向きに配置します (3) Tナットをチャンネルに押し込みます (4) 内に位置合わせします片方の端を押してチャンネルを押しします (5) フラッシュを押しします（詳細については、8ページを参照してください）

34b: 画像を参照してください-ステップ34aを使用して、各ベースのチャンネル内の上部に2xTナットを取り付けます（赤い点はTナットの配置を示しています）。注: ベースフレームのチャンネルの内側の上部にある2つのTナット。反対側で繰り返します。

35: 画像を参照してください-ステップ34bで以前に取り付けたTナットにボルトで固定します

36: 画像を参照してください-A: ButtKickerマウントボールの下部チャンネルに2xTナットを取り付け、両方のシートスライダーバーの上部チャンネルに2xTナットを取り付けます。次に、フェルトパッドを下部に取り付けますB: シートスライダータブをシートスライダーバーの端にボルトで固定します

STEP42へのMOTIONV3 PLATFORMスキップがない場合は、MOTION PLATFORMV3の手順

37: 画像を参照してください。(A) モーションアダプタープレートの下部に緑色で示されているフェルトを塗布します。(B) 2xTナット（両側）をベースフレームの上部チャンネルにスライドさせます

38: ステップ37で、モーションアダプタープレートを介して以前に取り付けたTナットにボルトで固定する画像を参照してください。

39: 画像を参照してください-Motion PlatformV3ユニットをモーションアダプタープレートに合わせませう

40: 画像を参照してください-モーションプレートをモーションプラットフォームV3にボルトで固定します

41: 画像を参照してください-4xM8ボルトでシートブラケットをMotionV3プラットフォームの上部にボルトで固定し、フランジナットで固定します。（モーションユーザーは、ステップ47にスキップしてシフタープレートを取り付けます）

42: 画像を参照してください-**前部座席スライダー**の位置合わせブラケットをラチェットハンドルでボルトで固定し、手順1aおよび1bで以前に取り付けたTナットに取り付けます。

43: 画像を参照してください-**後部座席のスライダー**をベースフレームに合わせませう

44: 画像を参照してください-**後部座席スライダー**で手順42を繰り返します

45: 画像を参照してください-シートブラケットスロットをシートスライダーに合わせませう

46: 画像を参照してください-シートブラケットをステップ36aで以前に取り付けたTナットにボルトで固定します

47: 画像を参照してください-シフタープレートの取り付け穴をメディアムシフターサポートアームチャンネルの希望の位置に合わせませう

48: 画像を参照してください-ステップ30aで以前に取り付けたTナットを使用してシフタープレートをシフターアームにボルトで固定します。反対側で繰り返します

49: 画像を参照してください-ステップ36aで以前に取り付けられたTナットを使用してシートスライダークロスバーの下側にボルトバットキッカーボール

50: 画像を参照してください-これでコックピットをシートに取り付ける準備ができました

51: 画像を参照してください-**ケーブルクリップ**をチャンネルに合わせませう（ケーブルクリップはチャンネルの上部からのみ挿入できます）注: クリップの裏側にあるローケタータブを押します

52: 画像を参照してください-**ケーブルクリップ**を**所定の位置**にスライドさせませう

53: 画像を参照してください-2xTナットをメディアムシフターサポートアームの下側チャンネルに取り付けます。

54: 画像を参照してください-ステップ53で以前に取り付けたTナットを使用したボルトスルーツールホルダー

55: 画像を参照してください-ツールホルダーにツールを挿入します

56: 画像を参照してください-すべての**エンドキャップのクリップ**。A: エンドキャップを押し出しの角に合わせませう。B: エンドキャップの中央を押し下げ、タブを最初の穴に合わせませう。次に、2番目のタブを2番目の穴に合わせませう。C: エンドキャップが完成しました

コックピットが完成しました。電子機器をインストールします。セットアップについて質問がある場合は、support@nextlevelracing.comに直接連絡するか、DiscordまたはFacebookのコミュニティに参加することができます。

ダイレクトシフターマウント（オプション）

A: 画像を参照してください-大きなシフターアームの下部チャンネルの内側にTナットを取り付けます

B: 画像を参照してください-大型シフターアームに**エンドキャップ**を取り付けます

C: 画像を参照してください-大きなシフターアームをシートブラケットの希望の位置に合わせませう

D: 画像を参照してください-ステップAから以前に取り付けたTナットにボルトをねじ込みませう

E: 画像を参照してください-4xTナットをシフターアームの外側のチャンネルに取り付けます

F: 画像を参照してください-シフターコーナー取り付けブラケットを、ステップEで以前に取り付けたTナットにボルトで固定します

シートダイレクトシフターマウント（オプション）

G: 画像を参照してください-シフターコーナー取り付けブラケットを、ステップEで以前に取り付けたTナットにボルトで固定します

H: 画像を参照してください。(小さな)シフターダイレクトマウント垂直アームに示されているように、2xTナットをチャンネルに取り付けます

I: 画像を参照してください-ステップHで以前に取り付けたTナットを使用したシフターアームへのボルトコーナーシフターアームブラケット

J: 画像を参照してください-プラスチックキャップを取り付けませう

K: 画像を参照してください-4xTナットを図のようにチャンネルに取り付けます

L: 画像を参照してください-シフタープレートを介して、ステップKで前に取り付けたTナットにボルトで固定します。希望の角度に調整し、ボルトを締めて所定の位置に固定します

フルコックピットの最終画像を参照してください

最終画像を参照してください:
トラクション: F-GT Eliteは、12x110MMボルトを使用してトラクションプラスプラットフォームに直接取り付けます。アルミニウム押し出し材の事前に開けられた穴を通してベースフレームの前に6sボルト、ベース押し出しの事前に開けられた穴を通してベースフレームの後ろに6sボルト



Video Instruction: [bit.ly/nlrbuid](https://bit.ly/nlrbuid)



support@nextlevelracing.com



Video Instruction: [bit.ly/nlrbuild](https://bit.ly/nlrbuild)

FR

## Manuel d'instructions Next Level Racing® F-GT Elite VOTRE VOYAGE SIM RACING COMMENCE ICI

Nous savons que vous avez hâte de vous lancer dans la course! Prenez votre temps avec les instructions et suivez ce guide pour assembler votre produit. Vous vous préparerez à réussir en suivant le livret d'instructions pour optimiser pleinement votre produit.

Scannez le code QR pour la vidéo d'instructions

Scannez le QR pour suivre nos canaux sociaux

### CONTRÔLES AVANT LA COURSE

#### \*\*ATTENTION\*\*

• Veuillez ne pas utiliser d'outils électriques pour l'assemblage car un serrage excessif peut endommager votre cadre

• Veuillez vous assurer que les écrous en T sont correctement placés dans l'extrusion

• Aménager et construire le cockpit sur une surface plane

• Ne forcez pas les pièces ensemble

• Évitez les boulons à filetage croisé

• En cas de doute, consultez la vidéo d'installation ou contactez-nous à support@nextlevelracing.com

• Le F-GT Elite est une construction pour 2 personnes

Si vous avez besoin d'une assistance avec votre produit, veuillez contacter notre équipe amicale à support@nextlevelracing.com

### AVERTISSEMENT RISQUE D'ÉTOUFFEMENT

Les petites pièces ne sont pas destinées aux enfants de moins de 3 ans ou aux personnes qui ont tendance à mettre des objets non comestibles dans leur bouche.

Scannez le code QR pour la vidéo d'instructions

Dans la boîte

Vérifiez les images pour vous assurer que toutes les parties sont toutes incluses dans la boîte

### CONSEILS D'EXTRUSION D'ALUMINIUM

• Veuillez ne pas utiliser d'outils électriques pour l'assemblage car un serrage excessif peut endommager votre cadre

• Veuillez vous assurer que les écrous en T sont correctement placés dans l'extrusion

• Aménager et construire le cockpit sur une surface plane

• Ne forcez pas les pièces ensemble

• Évitez les boulons à filetage croisé

• En cas de doute, consultez la vidéo d'installation ou contactez-nous à support@nextlevelracing.com

• Le F-GT Elite est une construction pour deux personnes avec le cockpit complet un mouvement pour deux personnes

• Attention aux arêtes vives sur les pièces d'extrusion

COMMENT INSTALLER UN ÉCROU EN T (depuis le côté) (les écrous en T peuvent également être installés à partir de l'extrémité d'un canal ouvert)

ECROU EN T NORMAL (Seuls les écrous en T normaux peuvent être installés par le côté ou par les extrémités) - Veuillez vous référer à l'image.

Installez les serre-câbles à l'endroit où vous les souhaitez pendant la construction. Laissez l'installation des serre-câbles jusqu'au bout peut présenter des problèmes d'installation. Appuyez sur la languette d'alignement à l'arrière pendant l'installation. Veuillez vous

référer à l'image.

### POINTS DE RÉGLAGE

Le F-GT Elite est entièrement réglable à partir de presque tous les points d'attache, ce qui le rend idéal pour les utilisateurs de toutes tailles, qu'ils soient en position GT ou Formula. Utilisez le niveau fourni avec les marqueurs de réglage sur le cadre pour vous assurer d'obtenir un alignement parfait.

Veuillez vous référer aux images pour les trois positions

01a: Veuillez vous référer à l'image. Faites glisser les écrous en T dans les canaux extérieurs gauche de la base principale. Remarque: faites glisser 2 écrous en T vers l'avant. PIÈCES 8 écrous en T pleine largeur M8. IMPORTANT: placez les écrous en T comme indiqué dans le schéma ci-dessous à l'extérieur de la base gauche (les points rouges sont l'emplacement des écrous en T)

Remarque: faites glisser 2 x écrous en T vers l'avant pour le support de la pédale

Remarque: faites glisser 4 x écrous en T au milieu pour le montant de roue

Remarque: faites glisser 4 x écrous en T vers le milieu pour le support du levier de vitesses (choisissez le côté)

Remarque: faites glisser 2 x écrous en T vers l'arrière pour les glissières de siège

01b: Veuillez vous référer à l'image. Faites glisser les écrous en T dans les canaux extérieurs droits de la base principale. Remarque: faites glisser 2 écrous en T vers l'avant. PIÈCES 12 écrous en T pleine largeur M8. IMPORTANT: placez les écrous en T comme indiqué dans le schéma ci-dessous à l'extérieur de la base droite (les points rouges indiquent l'emplacement des écrous en T). Remarque: faites glisser 2 x écrous en T vers l'arrière pour les glissières de siège. Remarque: faites glisser 4 x écrous en T vers le milieu pour le support du levier de vitesses (choisissez le côté). Remarque: faites glisser 4 x écrous en T vers le milieu pour le montant de roue. Remarque: faites glisser 2 écrous en T vers l'avant pour le support de la pédale.

\* Outils recommandés - Veuillez vous référer aux images

02: Veuillez vous référer à l'image - Boulonner les pièces avant et arrière à la base. Remarque: la pièce avant a le logo Next Level Racing®

03: Veuillez vous référer à l'image - Répétez l'étape 2 sur le côté opposé

04: Veuillez vous référer à l'image - Installer les pieds. Remarque: la hauteur du pied ne peut être ajustée que lorsqu'il est installé sur le cockpit. Remarque: l'onglet d'alignement du pied doit se trouver dans le canal.

05: Veuillez vous référer à l'image - Faites glisser l'écrou en T dans le canal inférieur

06: Veuillez vous référer à l'image - Vissez le pied dans l'écrou en T installé à l'étape 5

07: Veuillez vous référer à l'image- onglet Aligner sur le pied à l'intérieur du canal

08: Veuillez vous référer à l'image - Serrez la vis à l'intérieur du pied avec une clé Allen pour verrouiller la hauteur

09: Veuillez vous référer à l'image - Installez la plaque en «T» correspondante sur les extrusions verticales gauche et droite avec des lignes gravées au laser face à la plaque vers l'intérieur. Remarque: les trous de retrait doivent être à l'extérieur. Remarque: les pièces sont étiquetées pour les applications du côté gauche et droit.

10: Veuillez vous référer à l'image - Boulonner le poteau droit au membre de base droit à l'aide des écrous en T précédemment installés à l'étape 1b. Remarque: angle vers l'arrière de l'image de type cockpit montrée

11: Veuillez vous référer à l'image - Répétez l'étape 10 sur le côté opposé

12: veuillez vous référer à l'image - Installez les écrous en T sur les canaux intérieurs des montants de roue (placement des points rouges)

13: Veuillez vous référer à l'image - Installez les patins en feutre (vert) sur les extrémités de la plaque de roue pour éviter de rayer lors du réglage, puis bouloñez la plaque de roue aux montants de roue à l'aide des écrous en T précédemment installés à l'étape 12

14: Veuillez vous référer à l'image - Installez 2 x écrous en T dans le canal avant du montant de roue et répétez de l'autre côté (placement des points rouges)

15: Veuillez vous référer à l'image - Boulonner le support de plaque de pédale au montant de roue à l'aide des écrous en T précédemment installés à l'étape 14

16: Veuillez vous référer à l'image - Bouloñez à travers les supports de bras de pédale de l'étape 15 avec les marqueurs de ligne vers le haut. Ensuite, installez 2 embouts NLR 40x40. Remarque: ne serrez pas le support de pédale avant d'avoir la position souhaitée.

17: Veuillez vous référer à l'image - Installez 4 x écrous en T dans le canal supérieur de chaque bras de plaque de pédale (points rouges pour le placement des écrous en T) Remarque: Utilisez des lignes laser pour un alignement facile.

18: Veuillez vous reporter à l'image - Boulonner les plaques de pédale aux bras de pédale avec les fentes \* face à face à l'aide des écrous en T précédemment installés à l'étape 17.

19: Veuillez vous référer à l'image - Installez 1 écrou en T dans le canal intérieur de chaque bras de pédale (points rouges pour le placement de l'écrou en T) Répétez de l'autre côté

20: Veuillez vous référer à l'image - Installez les barres de support de pédale sur la base gauche et la base droite à l'aide des écrous en T installés aux étapes 1a et 1b. Répétez de l'autre côté.

21: Veuillez vous référer à l'image - Choisissez l'angle de la pédale

22: Veuillez vous référer à l'image - Bouloñez à travers les barres de support dans les écrous en T précédemment installés à l'étape 19. Répétez de l'autre côté.

23: Veuillez vous référer à l'image - Installez 4 x écrous en T dans les canaux extérieurs des montants de roue du côté du levier de vitesses à partir de 1a ou 1b. Remarque: installez sur le côté du levier de vitesses à partir de 1a ou 1b

24: Veuillez vous référer à l'image - Installez les supports de levier de vitesses sur le montant de roue à l'aide des écrous en T précédemment installés à l'étape 23.

25: Veuillez vous référer à l'image - Installez 4 x écrous en T dans les canaux supérieur et inférieur du bras de levier de vitesses (bras de levier de vitesses de taille moyenne à partir de la page de contenu)

26: Veuillez vous référer à l'image - Sélectionnez votre hauteur puis bouloñez à travers les supports de levier de vitesses dans les écrous en T à partir de l'étape 25

27: Veuillez vous reporter à l'image - Boulonner la plaque d'extension du levier de vitesses à la base (côté levier de vitesses) à l'aide des écrous en T précédemment installés à l'étape 1a ou 1b. Remarque: ajoutez cette plaque du même côté que vous avez installé le support de levier de vitesses. Remarque: le support du bras de levier de vitesses doit être incliné vers l'arrière

28: Veuillez vous référer à l'image - Installez 4 x écrous en T dans le canal intérieur de la barre de support du levier de vitesses (bras de levier de vitesses le plus long de la page de contenu). Faites-les glisser vers le bas de la barre pour les aligner avec le support de l'étape 27 (points rouges pour le placement des écrous en T)

29: Veuillez vous référer à l'image - Boulonner à travers le support du bras de levier de vitesses dans les écrous en T précédemment installés à partir de l'étape 28

30a: veuillez vous référer à l'image - Installez 2 x écrous en T dans chacun des canaux latéraux supérieurs (surlignés en bleu)

30b: veuillez vous référer à l'image - Installez 1 x écrou en T dans chacun des canaux extérieurs (surlignés en bleu)

31: Veuillez vous référer à l'image - Faites glisser le grand bras de levier de vitesses et le support de montage du coin du levier de vitesses pour les aligner avec le bras de support du levier de vitesses moyen comme indiqué

32: Veuillez vous référer à l'image - Boulonner à travers le support dans le grand bras de levier de vitesses à l'aide des écrous en T précédemment installés à l'étape 30b

33: Veuillez vous référer à l'image - Installez 2 x écrous en T dans le canal inférieur du bras de support du levier de vitesses moyen, puis bouloñez à travers le support d'angle de montage du levier de vitesses dans les écrous en T

34a: Veuillez vous référer à l'image - Ces instructions aident à l'étape 34b: (1) Alignez l'écrou en T avec le canal (2) Placez l'écrou en T sur le côté dans le canal (3) Poussez l'écrou en T dans le canal (4) Alignez à l'intérieur le canal en poussant sur un bord (5) Push flush (pour plus de détails voir page 8)

34b: Veuillez vous reporter à l'image - À l'étape 34a, installez 2 x écrous en T dans le haut à l'intérieur du canal de chaque base (les points rouges indiquent l'emplacement des écrous en T). Remarque: 2 x écrous en T sur le dessus à l'intérieur du canal du cadre de base. Répétez de l'autre côté.

35: Veuillez vous référer à l'image - Boulonner la plaque de marche dans les écrous en T précédemment installés à l'étape 34b

36: Veuillez vous référer à l'image- A: Installez 2 x écrous en T dans le canal inférieur pour le poteau de montage ButtKicker, installez 2 écrous en T dans le canal supérieur des deux barres coulissantes du siège. Ensuite, fixez les coussinets en feutre au bas B: Bouloñez les pattes de glissière du siège à l'extrémité des barres de glissière du siège

### MOTION PLATFORM V3 ÉTAPES SI VOUS N'AVEZ PAS DE PLATEFORME MOTION V3 PASSEZ À L'ÉTAPE 42

37: Veuillez vous référer à l'image - (A) Appliquez le feutre indiqué en vert au bas des plaques de l'adaptateur de mouvement. (B) Faites glisser 2 x écrous en T (de chaque côté) dans le canal supérieur du cadre de base

38: Veuillez vous référer à l'image - boulon à travers les plaques d'adaptation de mouvement dans les écrous en T précédemment installés à partir de l'étape 37

39: Veuillez vous reporter à l'image - Alignez l'unité Motion Platform V3 avec les plaques d'adaptation de mouvement

40: Veuillez vous référer à l'image - Boulonner à travers la plaque de mouvement dans Motion Platform V3

41: Veuillez vous reporter à l'image - Boulonner à travers le support de siège avec 4 boulons M8 dans le haut de la plate-forme Motion V3, puis fixer avec des écrous à bride. (Les utilisateurs de Motion passent à l'étape 47 pour installer la plaque de changement de vitesse)

42: Veuillez vous référer à l'image - Boulonner à travers le support d'alignement sur le curseur du siège avant avec la poignée à cliquer dans les écrous en T précédemment installés aux étapes 1a et 1b

43: Veuillez vous référer à l'image - Alignez le curseur du siège arrière sur le cadre de base

44: Veuillez vous référer à l'image - Répétez l'étape 42 avec le curseur de siège arrière

45: Veuillez vous référer à l'image - Alignez les fentes du support de siège sur les glissières de siège

46: Veuillez vous référer à l'image - Boulonner à travers le support de siège dans les écrous en T précédemment installés à l'étape 36a

47: Veuillez vous reporter à l'image - Alignez les trous de montage de la plaque de levier de vitesses sur le canal du bras de support de levier de vitesses moyen à la position préférée

48: Veuillez vous référer à l'image - Boulonner la plaque de levier de vitesses au bras de levier de vitesses à l'aide des écrous en T précédemment installés à l'étape 30a. Répétez de l'autre côté

49: Veuillez vous référer à l'image - Bolt ButtKicker Pole sur le dessous de la barre transversale du curseur de siège à l'aide des écrous en T précédemment installés à l'étape 36a

50: Veuillez vous référer à l'image - Votre cockpit est maintenant prêt à être monté sur le siège

51: Veuillez vous référer à l'image - Alignez le clip de câble avec le canal (le clip de câble ne peut être inséré que par le haut du canal) Remarque: Appuyez sur la languette de localisation à l'arrière du clip

52: Veuillez vous référer à l'image - Faites glisser le clip de câble en place

53: Veuillez vous référer à l'image - Installez 2 x écrous en T dans le canal latéral inférieur du bras de support du levier de vitesses moyen.

54: Veuillez vous référer à l'image - Boulonner à travers le porte-outil à l'aide des écrous en T précédemment installés à l'étape 53

55: Veuillez vous référer à l'image - Insérer les outils dans le porte-outil

56: Veuillez vous référer à l'image - Clip sur tous les embouts. R: Alignez l'embout sur le coin de l'extrusion. B: Appuyez sur le centre du capuchon d'extrémité et alignez la languette sur le premier trou. Ensuite, alignez la deuxième languette avec le deuxième trou. C: embout fini

VOTRE COCKPIT EST COMPLET Il est temps d'installer vos appareils électroniques. Si vous avez des questions sur votre configuration, vous pouvez nous contacter directement à support@nextlevelracing.com ou vous pouvez rejoindre la communauté sur Discord ou Facebook

### MONTAGE DIRECT DU SHIFTER (EN OPTION)

R: veuillez vous référer à l'image - Installez les écrous en T dans le canal inférieur intérieur du grand bras de levier de vitesses

B: Veuillez vous référer à l'image - Installez les capuchons d'extrémité sur le grand bras de levier de vitesses

C: Veuillez vous référer à l'image - Alignez le grand bras de levier de vitesses avec la position souhaitée sur le support de siège

D: Veuillez vous référer à l'image - Visser les boulons dans les écrous en T précédemment installés à partir de l'étape A

E: Veuillez vous référer à l'image - Installez 4 x écrous en T sur les canaux à l'extérieur du bras de levier de vitesses

F: Veuillez vous reporter à l'image - Bouloñez le support de montage du coin du levier de vitesses aux écrous en T précédemment installés à l'étape E

### MONTAGE DIRECT DU SIEGE (EN OPTION)

G: Veuillez vous reporter à l'image - Bouloñez le support de montage du coin du levier de vitesses aux écrous en T précédemment installés à l'étape E

H: Veuillez vous référer à l'image - Installez 2 x écrous en T dans les canaux comme indiqué sur le (petit) bras vertical à montage direct du levier de vitesses

I: Veuillez vous référer à l'image - Boulon du support de bras de levier de vitesses d'angle au bras de levier de vitesses à l'aide d'écrous en T précédemment installés à l'étape H

J: veuillez vous référer à l'image - Installez le capuchon en plastique

K: veuillez vous référer à l'image - Installez 4 x écrous en T dans les canaux comme indiqué

L: Veuillez vous référer à l'image - Boulonner à travers la plaque de levier de vitesses dans les écrous en T précédemment installés à l'étape k. Ajustez-vous à l'angle souhaité et serrez les boulons pour les verrouiller en place

### SE RÉFÉRER À L'IMAGE FINALE POUR LE COCKPIT COMPLET

SE RÉFÉRER À L'IMAGE FINALE: TRACTION: Le F-GT Elite se montera directement sur la plate-forme Traction Plus à l'aide de 12 boulons de 110 mm. 6 x boulon à l'avant du cadre de base à travers les trous pré-percés dans l'extrusion d'aluminium et 6 x boulon à l'arrière du cadre de base à travers les trous pré-percés dans l'extrusion de base



support@nextlevelracing.com



Video Instruction: [bit.ly/nlrbuid](https://bit.ly/nlrbuid)

## PT

### Manual de instruções do Next Level Racing® F-GT Elite SUA JORNADA NO SIM RACING COMEÇA AQUI

Sabemos que você está ansioso para começar a correr! Leve o seu tempo com as instruções e siga este guia para montar o seu produto. Você estará se preparando para o sucesso seguindo o livreto de instruções para otimizar totalmente o seu produto.

Leia o código QR para obter um vídeo de instrução

Leia o QR para seguir nossos canais sociais

#### VERIFICAÇÕES PRÉ-CORRIDA

##### \*\*AVISO\*\*

- Não use ferramentas elétricas para a montagem, pois o aperto excessivo pode danificar sua estrutura
- Certifique-se de que as porcas em T estão corretamente colocadas dentro da extrusão
- Faça o layout e construa o cockpit em uma superfície nivelada
- Não force as peças juntas
- Evite parafusos de rosca cruzada
- Em caso de dúvida, consulte o vídeo de instalação ou entre em contato conosco pelo e-mail [support@nextlevelracing.com](mailto:support@nextlevelracing.com)
- O F-GT Elite é uma construção para 2 pessoas

Se você precisar de qualquer suporte com o seu produto, entre em contato com nossa equipe amigável em [support@nextlevelracing.com](mailto:support@nextlevelracing.com)

#### AVISO RISCO DE ASFIXIA

Peças pequenas não para crianças menores de 3 anos ou qualquer pessoa que tenha tendência a colocar objetos não comestíveis na boca.

Leia o código QR para obter um vídeo de instrução

Na caixa

Verifique as imagens para garantir que todas as partes incluídas na caixa

#### DICAS DE EXTRUSÃO DE ALUMÍNIO

- Não use ferramentas elétricas para a montagem, pois o aperto excessivo pode danificar sua estrutura
- Certifique-se de que as porcas em T estão corretamente colocadas dentro da extrusão
- Faça o layout e construa o cockpit em uma superfície nivelada
- Não force as peças juntas
- Evite parafusos de rosca cruzada
- Em caso de dúvida, consulte o vídeo de instalação ou entre em contato conosco pelo e-mail [support@nextlevelracing.com](mailto:support@nextlevelracing.com)
- O F-GT Elite é construído para duas pessoas, com o cockpit completo com movimento de duas pessoas
- Cuidado com as arestas vivas nas peças de extrusão

COMO INSTALAR UM T-NUT (do lado) (T-Nuts também pode ser instalado a partir do final de um canal aberto)

PORCA T-SLOT NORMAL (Apenas porcas T normais podem ser instaladas nas laterais ou nas extremidades) - Por favor, consulte a imagem.

Instale os cliques de cabo no local em que deseja colocá-los durante a construção. Deixar a instalação de cliques de cabo para o final pode apresentar problemas de instalação. Pressione a guia de alinhamento na parte traseira durante a instalação. Por favor, consulte a imagem.

#### PONTOS DE AJUSTE

O F-GT Elite é totalmente ajustável em quase todos os pontos de fixação, o que o torna ótimo para usuários de todos os tamanhos, seja na posição GT ou Fórmula. Use o nível fornecido junto com os marcadores de ajuste na estrutura para garantir o alinhamento perfeito.

Consulte as imagens para as três posições

01a: Consulte a imagem. Deslize as porcas em T nos canais externos esquerdos na base principal. Nota: deslize 2 x porcas em T para a frente. PEÇAS 8 X M8 porcas em T de largura total. IMPORTANTE: Coloque as porcas em T conforme mostrado no diagrama abaixo do lado de fora da base esquerda (os pontos vermelhos são a colocação das porcas em T)

Nota: deslize 2 x porcas em T para a frente para suporte do pedal

Nota: deslize 4 x porcas em T para o meio para a coluna da roda

Nota: deslize 4 x porcas em T para o meio para suporte do deslocador (escolha o lado)

Nota: deslize 2 x porcas em T para trás para os controles deslizantes do assento

01b: Consulte a imagem. Deslize as porcas em T nos canais externos da base principal. Nota: deslize 2 x porcas em T para a frente. PEÇAS 12 X M8 porcas em T de largura total. IMPORTANTE: Coloque as porcas em T conforme mostrado no diagrama abaixo na parte externa da base direita (os pontos vermelhos são a colocação das porcas em T). Nota: deslize 2 x porcas em T para trás para os controles deslizantes do assento. Nota: deslize 4 x porcas em T para o meio para suporte do deslocador (escolha o lado). Nota: deslize 4 x porcas em T para o meio para o espigão da roda. Nota: deslize 2 x porcas em T para a frente para suporte do pedal.

\* FERRAMENTAS RECOMENDADAS: Consulte as imagens

02: Por favor, consulte a imagem - peças dianteiras e traseiras dos parafusos na base. Nota: a peça da frente tem o logotipo Next Level Racing®

03: Consulte a imagem - Repita a etapa 2 no lado oposto

04: Consulte a imagem- Instale os pés. Observação: a altura do pé pode ser ajustada apenas quando está instalado na cabine. Observação: a guia de alinhamento dos pés deve ficar no canal.

05: Consulte a imagem - Deslize a porca T no canal inferior

06: Consulte a imagem - Parafuso do pé na porca em T instalada na etapa 5

07: Consulte a guia Alinhar imagem no pé dentro do canal

08: Consulte a imagem - Aperte o parafuso dentro do pé com chave Allen para travar a altura

09: Consulte a imagem - Instale a placa "T" correspondente nas extrusões verticais esquerda e direita com linhas gravadas a laser voltadas para dentro da placa. Nota: Os orifícios de recesso devem ficar do lado de fora. Nota: As peças são etiquetadas para aplicações do lado esquerdo e direito.

10: Consulte a imagem - Parafuse o poste direito no membro direito da base usando porcas em T previamente instaladas na etapa 1b. Nota: ângulo em direção à parte traseira da imagem semelhante a uma cabine de comando mostrada

11: Consulte a imagem - Repita a etapa 10 no lado oposto

12: Consulte a imagem - Instale as porcas em T nos canais internos dos postes da roda (colocação dos pontos vermelhos)

13: Consulte a imagem - Instale almofadas de feltro (verdes) nas extremidades da placa da roda para evitar arranhões durante o ajuste, em seguida, parafuse a placa da roda nos postes da roda usando porcas em T previamente instaladas na etapa 12

14: Por favor, consulte a imagem - Instale 2 x T-porcas no canal dianteiro da coluna da roda e repita no outro lado (colocação dos pontos vermelhos)

15: Consulte a imagem - Suporte da placa do pedal do parafuso ao pino da roda usando porcas em T previamente instaladas na etapa 14

16: Consulte a imagem - Aparafuse através dos suportes do braço do pedal da etapa 15 com os marcadores de linha voltados para cima. Em seguida, instale 2 tampas de extremidade NLR 40x40. Nota: Não aperte o suporte do pedal até chegar à posição desejada.

17: Consulte a imagem - Instale 4 x porcas T no canal superior de cada braço da placa do pedal (pontos vermelhos para a colocação da porca T) Observação: Use linhas de laser de linha para facilitar o alinhamento.

18: Consulte a imagem- Parafuse as placas dos pedais nos braços do pedal com as ranhuras \* voltadas uma para a outra usando porcas em T previamente instaladas na etapa 17.

19: Consulte a imagem - Instale 1 porca em T no canal interno de cada braço do pedal (pontos vermelhos para a colocação da porca em T) Repita no outro lado

20: Consulte a imagem - Instale as barras de suporte do pedal na base esquerda e na base direita usando porcas em T instaladas nas etapas 1a e 1b. Repita do outro lado.

21: Consulte a imagem - Escolha o ângulo do pedal

22: Consulte a imagem - Parafuse através das barras de suporte nas porcas em T previamente instaladas na etapa 19. Repita no outro lado.

23: Consulte a imagem - Instale 4 x porcas em T nos canais externos dos postes das rodas no lado do câmbio de 1a ou 1b. Observação: instale no lado do shifter de 1a ou 1b

24: Consulte a imagem - Instale os suportes do câmbio na coluna da roda usando porcas em T previamente instaladas na etapa 23.

25: Por favor, consulte a imagem - Instale 4 x T-porcas nos canais superior e inferior do braço do shifter (braço do shifter de tamanho médio da página de conteúdo)

26: Por favor, consulte a imagem - Selecione sua altura e, em seguida, aparafuse através dos suportes do câmbio nas porcas em T da etapa 25

27: Consulte a imagem- Placa de extensão do deslocador de parafuso para a base (lado do deslocador) usando porcas T previamente instaladas na etapa 1a ou 1b. Observação: adicione esta placa ao mesmo lado em que instalou o suporte do câmbio. Nota: o suporte do braço do deslocador deve ser inclinado para trás

28: Por favor, consulte a imagem - Instale 4 x T-porcas no canal interno da barra de suporte do shifter (braço do shifter de tamanho mais longo da página de conteúdo). Deslize-os para a parte inferior da barra para alinhar com o suporte da etapa 27 (pontos vermelhos para a colocação da porca T)

29: Consulte a imagem - Parafuso através do suporte do braço do deslocador nas porcas T previamente instaladas da etapa 28

30a: Consulte a imagem - Instale 2 x T-Nuts em cada um dos canais do lado superior (destacado em azul)

30b: Consulte a imagem - Instale 1 x T-Nut em cada um dos canais externos (destacado em azul)

31: Por favor, consulte a imagem - Deslize o braço grande do deslocador e o suporte de montagem do canto do deslocador para alinhar com o braço de suporte do deslocador médio, conforme mostrado

32: Consulte a imagem - Parafuse através do suporte no braço grande do deslocador usando porcas em T previamente instaladas na etapa 30b

33: Por favor, consulte a imagem - Instale 2 x T-porcas no canal inferior do braço de suporte do shifter médio, em seguida, parafuse através do suporte de canto de montagem do shifter nas porcas T

34a: Consulte a imagem - Estas instruções ajudam com a etapa 34b: (1) Alinhe a porca T com o canal (2) Coloque a porca T lateralmente no canal (3) Empurre a porca T no canal (4) Alinhe dentro o canal empurrando em uma borda (5) Empurre rente (para mais detalhes, consulte a página 8)

34b: Consulte a imagem. Usando a etapa 34a, instale 2 porca em T na parte superior dentro do canal de cada base (os pontos vermelhos mostram a colocação da porca em T). Nota: 2 x porcas T no topo dentro do canal da estrutura de base. Repita do outro lado.

35: Consulte a imagem - Parafuso através da placa de passo nas porcas T previamente instaladas na etapa 34b

36: Consulte a imagem- A: Instale 2 x T-Nuts no canal inferior para o poste de montagem ButtKicker, instale 2x T-Nuts no canal superior de ambas as barras deslizantes do assento. Em seguida, prenda as almofadas de feltro na parte inferior B: Parafuse as guias deslizantes do assento na extremidade das barras deslizantes do assento

#### PASSOS DA PLATAFORMA MOTION V3 SE VOCÊ NÃO TIVER UMA PLATAFORMA MOTION V3 PULAR PARA A ETAPA 42

37: Consulte a imagem- (A) Aplique o feltro mostrado em verde na parte inferior das placas adaptadoras de movimento. (B) Deslize 2 x porcas em T (cada lado) no canal superior da estrutura de base

38: Por favor, consulte o parafuso de imagem através das placas adaptadoras de movimento nas porcas T previamente instaladas da etapa 37

39: Por favor, consulte a unidade Align Motion Platform V3 com placas adaptadoras de movimento

40: Consulte a imagem - Parafuso através da placa de movimento na plataforma de movimento V3

41: Consulte a imagem - Aparafuse através do suporte do assento com 4 parafusos M8 na parte superior da Plataforma Motion V3 e prenda com porcas de flange. (Os usuários do Motion pulam para a etapa 47 para instalar a placa do câmbio)

42: Consulte a imagem - Parafuso através do suporte de alinhamento no controle deslizante do assento dianteiro com a alça da catraca nas porcas T previamente instaladas na etapa 1a e 1b

43: Consulte a imagem - Alinhe o controle deslizante do assento traseiro com a estrutura da base

44: Consulte a imagem - Repita a etapa 42 com o controle deslizante do banco traseiro

45: Por favor, consulte a imagem - Alinhe as ranhuras do suporte do assento aos deslizadores do assento

46: Consulte a imagem - Parafuso através do suporte do assento nas porcas T previamente instaladas na etapa 36a

47: Consulte a imagem - Alinhe os orifícios de montagem da placa do deslocador ao canal do braço de suporte do deslocador médio na posição preferida

48: Por favor, consulte a imagem - Placa de mudança de parafuso para braço de mudança usando porcas T previamente instaladas na etapa 30a. Repita do outro lado

49: Consulte a imagem - Bolt ButtKicker Pole na parte inferior da barra transversal deslizante do assento usando porcas em T previamente instaladas na etapa 36a

50: Consulte a imagem - Sua cabine agora está pronta para ser montada no assento

51: Consulte a imagem - Alinhe o clipe do cabo com o canal (o clipe do cabo só pode ser inserido na parte superior do canal) Nota: Pressione a guia localizadora na parte traseira do clipe

52: Consulte a imagem - deslize o clipe do cabo no lugar

53: Consulte a imagem - Instale 2 x porcas em T no canal lateral inferior do braço de suporte do shifter médio.

54: Consulte a imagem - Parafuso através do suporte da ferramenta usando porcas em T previamente instaladas na etapa 53

55: Por favor, consulte as ferramentas de inserção de imagem no porta-ferramentas

56: Consulte a imagem - Clipe em todas as tampas. R: Alinhe a extremidade com o canto da extrusão. B: Pressione o centro da tampa da extremidade e alinhe a aba com o primeiro orifício. Em seguida, alinhe a segunda aba com o segundo furo. C: Tampa finalizada

SEU COCKPIT ESTÁ COMPLETO É hora de instalar seus eletrônicos. Se você tiver alguma dúvida sobre a configuração, pode entrar em contato conosco diretamente em [support@nextlevelracing.com](mailto:support@nextlevelracing.com) ou pode se juntar à comunidade no Discord ou Facebook

;

#### MONTAGEM DE MUDANÇA DIRETA (OPCIONAL)

R: Por favor, consulte a imagem - Instale as porcas em T no canal inferior interno no braço grande do câmbio

B: Por favor, consulte a imagem - Instale as tampas finais no braço grande do deslocador

C: Por favor, consulte a imagem - Alinhe o braço grande do câmbio com a posição desejada no suporte do assento

D: Por favor, consulte a imagem - Parafusos de parafuso nas porcas T previamente instaladas da etapa A

E: Por favor, consulte a imagem - Instale 4 porcas em T nos canais do lado de fora do braço do câmbio

F: Por favor, consulte a imagem - aparafuse o suporte de montagem do canto do deslocador nas porcas T previamente instaladas na etapa E

#### MONTAGEM DO SHIFTER DIRETO DO ASSENTO (OPCIONAL)

G: Por favor, consulte a imagem - aparafuse o suporte de montagem do canto do deslocador nas porcas T previamente instaladas na etapa E

H: Por favor, consulte a imagem - Instale 2 x porca em T nos canais, conforme mostrado no (pequeno) braço vertical de montagem direta do shifter

I: Por favor, consulte a imagem - Suporte do braço do trocador de canto do parafuso para o braço do trocador usando porcas T previamente instaladas na etapa H

J: Por favor, consulte a imagem - Instale a tampa de plástico

K: Por favor, consulte a imagem - Instale 4 x T-Nut nos canais como mostrado

L: Consulte a imagem- Parafuso através da placa do deslocador nas porcas T previamente instaladas na etapa k. Ajuste no ângulo desejado e aperte os parafusos para travá-los no lugar

#### CONSULTE A IMAGEM FINAL DO COCKPIT COMPLETO

CONSULTE A IMAGEM FINAL: TRAÇÃO: O F-GT Elite será montado diretamente na plataforma Traction Plus usando parafusos 12 x 110 MM. 6 parafusos na frente da estrutura de base através dos orifícios pré-perfurados na extrusão de alumínio e 6 parafusos na parte de trás da estrutura de base através dos orifícios pré-perfurados na extrusão de base



support@nextlevelracing.com

# RU

## Next Level Racing® F-GT Elite Инструкция по эксплуатации ГОНОЧНОЕ ПУТЕШЕСТВИЕ НА SIM-карте НАЧИНАЕТСЯ ЗДЕСЬ

Мы знаем, что вы хотите начать гонку! Не торопитесь с инструкциями и следуйте этому руководству, чтобы собрать свой продукт. Вы настроите себя на успех, следуя буклету с инструкциями, чтобы полностью оптимизировать свой продукт.

Отсканируйте QR-код для просмотра видео с инструкциями.

Отсканируйте QR-код, чтобы следить за нашими социальными каналами

### ПРОВЕРКИ ПЕРЕД ГОНКОЙ \*\*ПРЕДУПРЕЖДЕНИЕ\*\*

- Пожалуйста, не используйте электроинструменты для сборки, так как чрезмерное затягивание может повредить вашу раму.
- Убедитесь, что Т-образные гайки правильно размещены внутри экструзии.
- Разместите и постройте кабину на ровной поверхности.
- Не прижимайте детали друг к другу.
- Избегайте болтов с перекрестной резьбой.
- В случае сомнений просмотрите установочное видео или свяжитесь с нами по адресу support@nextlevelracing.com.
- F-GT Elite - это сборка для 2 человек.

Если вам требуется поддержка по вашему продукту, свяжитесь с нашей дружной командой по адресу support@nextlevelracing.com.

### ПРЕДУПРЕЖДЕНИЕ ОПАСНОСТЬ УДУШЬЯ

Мелкие детали не предназначены для детей младше 3 лет или людей, которые склонны класть в рот несъедобные предметы.

Отсканируйте QR-код для просмотра видео с инструкциями.

В коробке

Проверьте изображения, чтобы убедиться, что все детали включены в коробку.

### НАКОНЕЧНИКИ ДЛЯ ЭКСТРУЗИИ АЛЮМИНИЯ

- Пожалуйста, не используйте электроинструменты для сборки, так как чрезмерное затягивание может повредить вашу раму.
- Убедитесь, что Т-образные гайки правильно размещены внутри экструзии.
- Разместите и постройте кабину на ровной поверхности.
- Не прижимайте детали друг к другу.
- Избегайте болтов с перекрестной резьбой.
- В случае сомнений просмотрите установочное видео или свяжитесь с нами по адресу support@nextlevelracing.com.
- F-GT Elite представляет собой сборку для двух человек с полной кабиной, которую могут перемещать два человека.
- Остерегайтесь острых краев экструзионных деталей.

КАК УСТАНОВИТЬ Т-образную гайку (сбоку) (Т-образные гайки также можно установить с конца открытого канала)

ОБЫЧНАЯ Т-образная ГАЙКА (Только обычные Т-образные гайки могут быть установлены сбоку или с торцов) - см. Изображение.

Установите кабельные зажимы в том месте, где вы хотели бы их использовать во время сборки. Если оставить установку кабельных зажимов на конец, могут возникнуть проблемы с установкой. Во время установки нажмите на выступ для выравнивания сзади. Пожалуйста, обратитесь к изображению.

### ТОЧКИ НАСТРОЙКИ

F-GT Elite полностью регулируется практически из любой точки крепления, что делает его идеальным для пользователей любого размера, будь то положение GT или Formula. Используйте предоставленный уровень вместе с регулировочными маркерами на раме, чтобы обеспечить идеальное выравнивание.

Пожалуйста, обратитесь к изображениям для трех позиций

01a: См. Изображение. Вставьте Т-образные гайки в левые внешние каналы на основном основании. Примечание. Сдвиньте 2 Т-образные гайки вперед. ЧАСТИ 8 Т-образных гаек полной ширины X M8. ВАЖНО: Поместите Т-образные гайки, как показано на схеме ниже, на внешней стороне левого основания (красные точки - это размещение Т-образных гаек).

Примечание: сдвиньте 2 х Т-образные гайки вперед для поддержки педали.

Примечание: сдвиньте 4 х Т-образные гайки посередине для колесной стойки.

Примечание: сдвиньте 4 х Т-образные гайки к середине для поддержки переключателя (выберите сторону)

Примечание: сдвиньте 2 х Т-образные гайки назад для ползунок сиденья.

01b: См. Изображение. Вставьте Т-образные гайки в правые внешние каналы на основном основании. Примечание. Сдвиньте 2 Т-образные гайки вперед. ЧАСТИ 12 Т-образных гаек полной ширины X M8. ВАЖНО: Поместите Т-образные гайки, как показано на схеме ниже, снаружи правого основания (красные точки - это размещение Т-образных гаек). Примечание: сдвиньте 2 х Т-образные гайки назад для ползунок сиденья. Примечание. Сдвиньте 4 х Т-образные гайки к середине для поддержки переключателя (выберите сторону). Примечание. Сдвиньте 4 х Т-образные гайки к середине стойки колеса. Примечание. Сдвиньте 2 Т-образных гайки вперед для поддержки педали.

\* РЕКОМЕНДУЕМЫЕ ИНСТРУМЕНТЫ - см. Изображения

02: См. Изображение - Прикрутите переднюю и заднюю части к основанию. Примечание: на передней части есть логотип Next Level Racing®.

03: См. Изображение - Повторите шаг 2 с противоположной стороны.

04: См. Изображение - Установите ножки. Примечание: высоту ножки можно отрегулировать, только если она установлена в кабине. Примечание: выступ для выравнивания ножки должен находиться в канале.

05: См. Изображение - Вставьте Т-образную гайку в нижний канал.

06: См. Изображение - Завинтите лапку в Т-образную гайку, установленную на шаге 5

07: См. Изображение - Выровняйте выступ на ножке внутри канала.

08: См. Изображение - Затяните винт внутри лапки шестигранным ключом, чтобы зафиксировать высоту

09: См. Изображение - Установите соответствующую Т-образную пластину на левой и правой вертикальные выступы так, чтобы линии с лазерной гравировкой были обращены внутрь пластины. Примечание: отверстия в углублении должны быть снаружи. Примечание. Детали имеют маркировку для левого и правого применения.

10: См. Изображение. Прикрутите болтами правую стойку к правому базовому элементу с помощью Т-образных гаек, ранее установленных на шаге 1b. Примечание: под углом к задней части показанного изображения, похожего на кабину.

11: См. Изображение - Повторите шаг 10 с противоположной стороны.

12: См. Изображение - Установите Т-образные гайки во внутренние каналы стоек колес (размещение красных точек)

13: См. Изображение - Установите войлочные прокладки (зеленые) на концы колесных дисков, чтобы избежать царапин при регулировке, затем прикрутите колесную пластину к колесным стойкам с помощью Т-образных гаек, ранее установленных на шаге 12.

14: См. Изображение - Установите 2 Т-образных гайки в передний канал стойки колеса и повторите с другой стороны (размещение красных точек).

15: См. Изображение - Прикрутите кронштейн пластины педали к колесной стойке с помощью Т-образных гаек, ранее установленных на шаге 14.



Video Instruction: [bit.ly/nlrbuid](https://bit.ly/nlrbuid)

16: См. Изображение - Закрутите кронштейны pedalного рычага, начиная с шага 15, маркерами линий вверх. Затем установите 2 торцевых заглушки 40x40 NLR. Примечание. Не затягивайте кронштейн педали до достижения желаемого положения.

17: См. Изображение. Установите 4 Т-образных гайки в верхний канал каждого рычага pedalной пластины (красные точки для размещения Т-образной гайки). Примечание. Используйте линейные лазерные линии для легкого выравнивания.

18: См. Изображение - Прикрутите pedalные пластины к pedalным рычагам с помощью пазов \*, обращенных друг к другу, с помощью Т-образных гаек, ранее установленных на шаге 17.

19: См. Изображение - Установите 1 Т-образную гайку во внутренний канал каждого рычага педали (красные точки для размещения Т-образной гайки) Повторите с другой стороны

20: См. Изображение - Установите опорные стержни педалей на основание слева и на основание справа, используя Т-образные гайки, установленные в шагах 1a и 1b. Повторите с другой стороны.

21: Пожалуйста, обратитесь к изображению - Выберите угол наклона педали

22: См. Изображение - Закрутите опорные стержни болтами в Т-образные гайки, ранее установленные на шаге 19. Повторите эти действия с другой стороны.

23: См. Изображение. Установите 4 Т-образных гайки во внешние каналы стоек колес на стороне переключателя передач, начиная с 1a или 1b. Примечание: установите на сторону переключателя от 1a или 1b.

24: См. Изображение - Установите кронштейны переключателя на колесную стойку с помощью Т-образных гаек, ранее установленных на шаге 23.

25: См. Изображение - Установите 4 Т-образных гайки в верхний и нижний каналы рычага переключения (рычаг переключения передач среднего размера со страницы содержания)

26: См. Изображение. Выберите свой рост, затем прикрутите скобы переключателя к Т-образным гайкам, начиная с шага 25.

27: См. Изображение - Прикрутите удлинительную пластину переключателя к основанию (сторона переключателя) с помощью Т-образных гаек, ранее установленных на шаге 1a или 1b. Примечание. Добавьте эту пластину с той же стороны, на которой вы установили кронштейн переключателя. Примечание: кронштейн рычага переключения передач должен быть наклонен назад.

28: Пожалуйста, обратитесь к Изображение- Установите 4 х Т-гайки во внутренний канал стержня поддержки переключения (Серия размера устройства сдвига руку от содержимого страницы). Сдвиньте их к нижней части планки, чтобы совместить с кронштейном из шага 27 (красные точки для размещения Т-образной гайки).

29: См. Изображение - Закрутите кронштейн рычага переключения передач болтами в ранее установленные Т-образные гайки, начиная с шага 28.

30a: См. Изображение - Установите 2 х Т-образные гайки в каждый из верхних боковых каналов (выделены синим)

30b: См. Изображение - Установите по 1 Т-образной гайке в каждый из внешних каналов (выделено синим)

31: См. Изображение. Сдвиньте большой рычаг переключения передач и угловой монтажный кронштейн переключателя так, чтобы совместить его с опорным рычагом рычага переключения передач среднего размера, как показано.

32: См. Изображение - Прикрутите скобу к большому рычагу переключения с помощью Т-образных гаек, ранее установленных на шаге 30b.

33: Пожалуйста, обратитесь к Изображение- Установка 2 х Т-гайки в нижний канал опорного рычага среднего рычага переключения затем болт через монтажный кронштейн в угловой Т-Nuts сдвига

34a: См. Изображение - Эти инструкции помогают выполнить шаг 34b: (1) Совместите Т-образную гайку с каналом (2) Поместите Т-образную гайку сбоку в канал (3) Вставьте Т-образную гайку в канал (4) Выровняйте внутри канал, нажав на один край (5) Задвиньте заподлицо (подробности см. на стр. 8)

34b: См. Изображение. Используя шаг 34a, установите 2 Т-образные гайки наверху внутри канала каждого основания (красные точки показывают размещение Т-образных гаек). Примечание: 2 х Т-образные гайки сверху внутри канала базовой рамы.

### Повторите с другой стороны.

35: См. Изображение - Закрутите ступенчатую пластину болтами в Т-образные гайки, ранее установленные на шаге 34b.

36: См. Изображение- A: Установите 2 Т-образные гайки в нижний канал для стойки крепления ButtKicker, установите 2 Т-образных гайки в верхний канал обоих ползунок сиденья. Затем прикрепите войлочные прокладки к нижней части B. Прикрутите язычки ползунок сиденья к концам ползунок сиденья.

ДЕЙСТВИЯ ПЛАТФОРМЫ MOTION V3, ЕСЛИ У ВАС НЕТ ПЛАТФОРМЫ MOTION V3, ПЕРЕЙДИТЕ К ШАГУ 42

37: См. Изображение- (A) Нанесите войлок, показанный зеленым, на нижнюю часть пластин адаптера движения. (B) Вставьте 2 х Т-образные гайки (с каждой стороны) в верхний канал базовой рамы.

38: Пожалуйста, обратитесь к изображению - закрепите переходные пластины через переходные пластины в ранее установленные Т-образные гайки, начиная с шага 37.

39: См. Изображение - Выровняйте блок Motion Platform V3 с пластинами адаптера движения.

40: См. Изображение - Закрепите подвижную пластину болтом в Motion Platform V3

41: См. Изображение. Прикрутите кронштейн сиденья с помощью 4 болтов M8 к верхней части платформы Motion V3, затем закрепите фланцевыми гайками. (Пользователи Motion переходят к шагу 47, чтобы установить пластину переключателя)

42: См. Изображение - Закрутите кронштейн выравнивания на ползунку переднего сиденья с помощью храловой ручки в Т-образные гайки, ранее установленные на шаге 1a и 1b.

43: См. Изображение - Выровняйте ползунок заднего сиденья по отношению к раме основания.

44: См. Изображение - Повторите шаг 42 с ползунком заднего сиденья.

45: См. Изображение - Совместите прорези кронштейна сиденья с ползунками сиденья.

46: См. Изображение - Закрутите кронштейн сиденья болтами в Т-образные гайки, ранее установленные на шаге 36a.

47: Пожалуйста, обратитесь к Align фазовращатель имидж-монтажные отверстия пластины к средней фазовращатель канала несущего рычага в предпочтительном положении

48: См. Изображение - Прикрутите пластину переключателя к рычагу переключения с помощью Т-образных гаек, ранее установленных на этапе 30a. Повторите с другой стороны

49: См. Изображение - Прикрутите стойку ButtKicker к нижней стороне поперечины ползунка сиденья с помощью Т-образных гаек, ранее установленных на этапе 36a.

50: См. Изображение. Теперь ваша кабина готова к установке сиденья.

51: См. Изображение - Совместите кабельный зажим с каналом (кабельный зажим можно вставить только сверху канала) Примечание: нажмите на язычок локатора на задней стороне зажима.

52: См. Изображение - Вставьте зажим для кабеля на место

53: Пожалуйста, обратитесь к image- Установка 2 х Т-гайки в нижней боковой канал опорного рычага среднего рычага переключения.

54: См. Изображение - Болт через держатель инструмента с помощью Т-образных гаек, ранее установленных на шаге 53

55: См. Изображение - Вставьте инструменты в держатель инструмента.

56: См. Изображение - Закрепите все заглушки. A: Совместите заглушку с углом профиля. B: нажмите на центр заглушки и совместите выступ с первым отверстием. Затем совместите второй язычок со вторым отверстием. C: Готовая заглушкаВАША

КАБИНА ЗАВЕРШЕНА Пришло время установить электронику. Если у вас есть какие-либо вопросы о вашей настройке, вы можете связаться с нами напрямую по адресу support@nextlevelracing.com или присоединиться к сообществу в Discord или Facebook.

### КРЕПЛЕНИЕ ПРЯМОГО ПЕРЕКЛЮЧАТЕЛЯ (ДОПОЛНИТЕЛЬНО)

A: См. Изображение - Установите Т-образные гайки во внутренний нижний канал на большом рычаге переключения.

B: См. Изображение - Установите торцевые крышки на большой рычаг переключения.

C: См. Изображение - Совместите большой рычаг переключения с желаемым положением на кронштейне сиденья.

D: См. Изображение - Завинтите болты в ранее установленные Т-образные гайки, начиная с шага A.

E: См. Изображение - Установите 4 Т-образных гайки в каналы на внешней стороне рычага переключения передач.

F: См. Изображение - Прикрутите угловой монтажный кронштейн переключателя к Т-образным гайкам, ранее установленным на шаге E.

### КРЕПЛЕНИЕ ПРЯМОГО ПЕРЕКЛЮЧЕНИЯ СИДЕНЬЯ (ДОПОЛНИТЕЛЬНО)

G: См. Изображение - Прикрутите угловой монтажный кронштейн переключателя к Т-образным гайкам, ранее установленным на шаге E.

H: См. Изображение - Установите 2 Т-образных гайки в каналы, как показано на (маленьком) вертикальном рычаге прямого монтажа переключателя.

I: См. Изображение - Прикрутите кронштейн углового рычага переключения к рычагу переключения с помощью Т-образных гаек, ранее установленных на шаге H.

J: См. Изображение - Установите пластиковый колпачок.

K: См. Изображение - Установите 4 х Т-образных гайки в каналы, как показано

L: См. Изображение - Закрутите пластину переключателя болтами в Т-образные гайки, ранее установленные на шаге K. Отрегулируйте до желаемого угла и затяните болты, чтобы зафиксировать их на месте.

### ОБРАТИТЕСЬ К ОКОНЧАТЕЛЬНОМУ ИЗОБРАЖЕНИЮ ПОЛНОЙ КАБИНЫ

СМОТРИТЕ НА ОКОНЧАТЕЛЬНОЕ ИЗОБРАЖЕНИЕ: ТЯГА: F-GT Elite крепится непосредственно к платформе Traction Plus с помощью болтов 12 x 110 мм. 6 x болт в передней части несущей рамы через предварительно просверленные отверстия в алюминиевой экструзии и 6 x болт в задней части несущей рамы через предварительно просверленные отверстия в базовой экструзии





support@nextlevelracing.com



Video Instruction: [bit.ly/nlrbuid](https://bit.ly/nlrbuid)

## TR

### Next Level Racing® F-GT Elite Kullanım Kılavuzu SIM YARIŞ YOLCULUĞUNUZ BURADA BAŞLIYOR

Yaşmaya başlamak için hevesli olduğunuzu biliyoruz! Talimatlara zaman ayırın ve ürününüzü monte etmek için bu kılavuzu izleyin. Ürününüzü tam olarak optimize etmek için talimat kitapçođını izleyerek kendinizi başarıya hazırlamış olacaksınız.

Talimat videosu için QR kodunu tarayın

Sosyal kanallarımızı takip etmek için QR'yi tarayın

#### YARIŞ ÖNCESİ KONTROLLER

##### \*\*UYARI\*\*

- Aşın sıkma çerçevenize zarar verebileceğinden, montaj için lütfen elektrikli aletler kullanmayın.
- Lütfen T-Somunların ekstrüzyona doğru şekilde yerleştirildiğinden emin olun
- Kokpiti düz bir yüzeye yerleştirin ve inşa edin
- Parçaları birbirine zorlamayın
- Çapraz dişli cvatalardan kaçının
- Şüphenez varsa, kurulum videosuna bakın veya support@nextlevelracing.com adresinden bizimle iletişime geçin.
- F-GT Elite, 2 kişilik bir yapıdır

Ürününüzle ilgili herhangi bir desteđe ihtiyacınız varsa, lütfen support@nextlevelracing.com adresinden arkadaş canlısı ekibimize iletişime geçin.

#### UYARI BOĞULMA TEHLİKESİ

3 yaşın altındaki çocuklar veya yenmeyen nesnelere ağızlarına koyma eğilimi olan kişiler için olmayan küçük parçalar.

Talimat videosu için QR kodunu tarayın

Kutuda

Tüm parçaların kutuda olduğundan emin olmak için resimleri kontrol edin

#### ALÜMİNYUM EKSTRÜZYON İPUÇLARI

- Aşın sıkma çerçevenize zarar verebileceğinden, montaj için lütfen elektrikli aletler kullanmayın.
- Lütfen T-Somunların ekstrüzyona doğru şekilde yerleştirildiğinden emin olun
- Kokpiti düz bir yüzeye yerleştirin ve inşa edin
- Parçaları birbirine zorlamayın
- Çapraz dişli cvatalardan kaçının
- Şüphenez varsa, kurulum videosuna bakın veya support@nextlevelracing.com adresinden bizimle iletişime geçin.
- F-GT Elite, tam kokpit ve iki kişilik hareket ile iki kişilik bir yapıdır.
- Ekstrüzyon parçalarında keskin kenarlara dikkat edin

T-SOMUN NASIL TAKILIR (Yandan) (T-Somunlar ayrıca açık bir kanalın sonundan da takılabilir)

NORMAL T-YUVASI SOMUN (Sadece normal T-Somunlar yandan uçlardan takılabilir) - Lütfen resme bakın.

Yapım sırasında olmasını istediğiniz yere kablo klipsleri takın. Kablo klipslerinin kurulumunu sona erdirmek kurulum sorunları ortaya çıkarabilir. Kurulum sırasında arkadaki hizalama trnađına bastırın. Lütfen resme bakın.

#### AYAR NOKTALARI

F-GT Elite, hemen hemen her bağlantı noktasından tamamen ayarlanabilir olduğundan, ister GT ister Formula konumunda olsun, tüm ölçülerdeki kullanıcılar için mükemmeldir. Mükemmel hizalamayı elde ettiğinizden emin olmak için çerçeve üzerindeki ayar işaretçileriyle birlikte sağlanan seviyeyi kullanın.

Lütfen üç pozisyon için resimlere bakın

01a: Lütfen resme bakın. T-Somunları ana tabandaki sol dış kanallara kaydırın. Not: 2 x T-Somunu öne kaydırın. PARTS 8 X M8 tam genişlikte t-somunlar. ÖNEMLİ: T-Somunları aşağıdaki şemada gösterildiđi gibi sol tabanın dışına yerleştirin (Kırmızı noktalar T-Somun yerleşimidir)

Not: Pedal desteđi için 2 x T-Somunu öne kaydırın

Not: Tekerlek diređi için 4 x T-Somunu ortaya kaydırın

Not: Vites deđiştirme desteđi için 4 x T-Somunu ortaya kaydırın (tarafı seçin)

Not: Koltuk kaydırıcıları için 2 x T-Somunu arkaya kaydırın

01b: Lütfen resme bakın. T-Somunları ana tabandaki sağ dış kanallara kaydırın. Not: 2 x T-Somunu öne kaydırın. PARÇALAR 12 X M8 tam genişlikte t-somunlar. ÖNEMLİ: T-Somunları aşağıdaki şemada gösterildiđi gibi sağ tabanın dışına yerleştirin (Kırmızı noktalar T-Somun yerleşimidir). Not: Koltuk kaydırıcıları için 2 x T-Somunu arkaya kaydırın. Not: Vites deđiştirme desteđi için 4 x T-Somunu ortaya kaydırın (tarafı seçin). Not: Tekerlek diređi için 4 x T-Somunu ortaya kaydırın. Not: Pedal desteđi için 2 x T-Somunu öne kaydırın.

\* ÖNERİLEN ARAÇLAR - Lütfen resimlere bakın

02: Lütfen resme bakın - Ön ve arka parçaları tabana cvatalayın. Not: Ön kısımda Next Level Racing® Logosu bulunur

03: Lütfen resme bakın - 2. adımı diğer tarafta tekrarlayın

04: Lütfen ayakları takın resme bakın. Not: Ayađın yüksekliđi yalnızca kokpite takıldıđında ayarlanabilir. Not: Ayak hizalama sekmesi kanalını içine oturtulabilir.

05: Lütfen resme bakın - T somunu alt kanala kaydırın

06: Lütfen resme bakın - 5. adımda takılan ayađı T somununa vidalayın

07: Lütfen kanalın içindeki ayaktađi görüntü hizalama sekmesine bakın

08: Lütfen resme bakın- Yüksekliđi kıllitlemek için ayađın içindeki vidayı Allen anahtarıyla sıkın

09: Lütfen resme bakın - Sol ve sağ dikey ekstrüzyonlara, lazerle kazınmış çizgiler plakaya içe bakacak şekilde ilgili "T" Plakasını takın. Not: Dışarıda olacak girinti delikleri. Not: Parçalar, sol ve sağ taraf uygulamaları için etiketlenmiştir.

10: Lütfen daha önce adım 1b'de takılmış olan T-Somunları kullanarak sağ taban elemanına cvataı sağ diređine bakın. Not: Gösterilen kokpit benzeri görüntünün arkasına doğru aç

11: Lütfen resme bakın - 10. adımı diğer tarafta tekrarlayın

12: Lütfen resme bakın - T-Somunları tekerlek direklerinin iç kanallarına takın (kırmızı nokta yerleşimi)

13: Lütfen resme bakın - Ayarlama sırasında çizilmeyi önlemek için tekerlek plakası uçlarına keçe pedelleri (yeşil) takın, ardından 12. adımda önceden takılmış olan T-Somunları kullanarak tekerlek plakasını tekerlek direklerine vidalayın

14: Lütfen resme bakın - Tekerlek diređinin ön kanalına 2 x T-Somunu takın ve diğer tarafta tekrarlayın (kırmızı nokta yerleşime)

15: Lütfen 14. adımda önceden takılmış T-Somunları kullanarak tekerlek diređine cvataı pedalı plakası braketine bakın.

16: Lütfen resim - 15. adımdaki pedal kolu braketleri boyunca çizgi işaretleri yukarı bakacak şekilde cvatalayın. Ardından 2 x 40x40 NLR uç kapađı takın. Not: İsteddiğiniz konuma gelene kadar pedal braketini sıkmayın.

17: Lütfen resme bakın - Her pedal plakası kolunun üst kanalına 4 x T-Somunu takın (T-somun yerleşimi için kırmızı noktalar) Not: Kolya hizalama için çizgi lazer çizgileri kullanın.

18: Lütfen daha önce 17. adımda takılmış olan T-Somunları kullanarak yuvaları \* birbirine bakacak şekilde pedal kollarına cvataı pedalı plakalarına bakın.

19: Lütfen resme bakın - Her bir pedal kolunun iç kanalına 1 T-Somunu takın (T-somun yerleşimi için kırmızı noktalar) Diğer tarafta tekrar edin

20: Lütfen resme bakın - Adım 1a ve 1b'de takılan T-Somunları kullanarak pedal destek çubuklarını sol tabana ve sağ tabana takın. Diğer tarafta tekrar edin.

21: Lütfen resme bakın - Pedal açısını seçin

22: Lütfen 19. adımda önceden takılmış olan destek çubuklarından T-Somunlara cvatalayın resme bakın. Diğer tarafta tekrar edin.

23: Lütfen resme bakın - 1a veya 1b'den vites deđiştirici taraftaki tekerlek direklerinin dış kanallarına 4 x T-Somun takın. Not: 1a veya 1b'den vites tarafınıza kurun

24: Lütfen resme bakın - 23. adımda önceden takılmış olan T-Somunları kullanarak vites braketlerini tekerlek diređine takın.

25: Lütfen resme bakın - Vites kolunun üst ve alt kanallarına 4 x T-Somun takın (İçindekiler sayfasından orta boy vites kolu)

26: Lütfen resme bakın - Yüksekliđinizi seçin, ardından vites braketlerinden 25. adımdan itibaren T-Somunlara vidalayın

27: Lütfen daha önce adım 1a veya 1b'de takılmış T-Somunları kullanarak tabana (vites deđiştirici tarafı) resim cvataı deđiştirici uzatma plakasına bakın. Not: Bu plakayı, vites braketini taktığınız tarafa ekleyin. Not: Vites kolu braketi arkaya doğru açılı olmalıdır

28: Lütfen resme bakın - Vites deđiştirme destek çubuđunun iç kanalına 4 x T-Somun takın (İçindekiler sayfasından en uzun boyutlu vites kolu). 27. adımdaki braketle aynı hizaya gelmek için bunları çubuđun altına kaydırın (T-somun yerleşime için kırmızı noktalar)

29: Lütfen resim-Cvataı ile vites kolu braketinden 28. adımdan itibaren önceden takılmış T-Somunlarına bakın.

30a: Lütfen resme bakın - Üst taraftaki kanalları her birine 2 x T-Somun takın (mavi ile vurgulanmıştır)

30b: Lütfen resme bakın - Dış kanalların her birine 1 x T-Somun takın (mavi ile vurgulanmıştır)

31: Lütfen resme bakın - Büyük vites kolunu ve vites deđiştirici köşesi montaj braketini gösterildiđi gibi Orta vites deđiştirici destek koluyla hizalamak için kaydırın

32: Lütfen daha önce 30b adımımda takılmış olan T-Somunları kullanarak braketin içinden büyük vites koluna cvatalayın resme bakın

33: Lütfen resme bakın - 2 x T-Somunu orta vites deđiştirici destek kolunun alt kanalına takın ve ardından vites deđiştirici montaj köşesi braketini T-Somunlarına vidalayın

34a: Lütfen resme bakın - Bu talimatlar 34b adımımda yardımcı olur: (1) T-Somunu kanalla hizalayın (2) T-Somunu kanala yanlamasına yerleştirin (3) T-Somunu kanala itin (4) içine hizalayın bir kenarı iterek kanalı (5) sifonu itin (daha fazla ayrıntı için sayfa 8'e bakın)

34b: Lütfen resme bakın - 34a adımını kullanarak, her bir tabanın kanalının üst kısmına 2 x T-Somun takın (kırmızı noktalar T-somun yerleşimini gösterir). Not: Taban çerçevesinin kanalının içinde 2ste 2 x T-Somun. Diğer tarafta tekrar edin.

35: Lütfen daha önce 34b adımımda takılmış olan T-Somunlara adım plakasından cvataı ile cvataya bakın

36: Lütfen resme bakın- A: ButtKicker montaj diređi için alt kanala 2 x T-Somun takın, her iki koltuk kaydırma çubuđunun üst kanalına 2x T-Somun takın. Sonra alt B'ye keçe pedelleri takın: Sele kaydırma trnaklarını koltuk kaydırma çubuklarının ucuna cvatalayın

#### HAREKET PLATFORMU V3 ADIMLARI HAREKET V3 PLATFORMUNUZ YOKSA ADIM 42'YE GEÇİN

37: Lütfen resme bakın- (A) Hareket adaptör plakalarının altına yeşil renkte gösterilen keçeyi uygulayın. (B) 2 x T-Somunu (her iki tarafta) taban çerçevesinin üst kanalına kaydırın

38: Lütfen hareket adaptör plakaları aracılıđıyla resim cvatasına 37. adımdan önceden takılmış T-Somunlarına bakın.

39: Lütfen hareket adaptör plakaları ile birlikte image- Alıđn Motion Platform V3 ünitesine bakın

40: Lütfen resme bakın - Hareket plakasından Hareket Platformu V3'e cvataı

41: Lütfen resme bakın - 4 x M8 cvatalarla koltuk braketinden Motion V3 Platformunun üstüne cvatalayın ve ardından flanş somunlarıyla sabitleyin. (Hareket kullanıcıları, kaydırma plakasını takmak için 42. adıma atları)

42: Lütfen, çırcır kolu ile ön koltuk sürgüsündeki hizalama braketinden cvataı ile adım 1a ve 1b'de önceden takılmış olan T-Somunlara cvataı ile bakın.

43: Lütfen resme bakın - Arka koltuk kaydırıcısını taban çerçevesine hizalayın

44: Lütfen resme bakın - 42. adımı arka koltuk kaydırıcısı ile tekrarlayın

45: Lütfen resme bakın - Koltuk braketi yuvalarını koltuk kaydırıcılarıyla hizalayın

46: Lütfen daha önce 36a adımımda takılmış olan sele braketinden T-Somunlarına cvataı ile resme bakın.

47: Lütfen resme bakın - Vites deđiştirme plakası montaj deliklerini tercih edilen konumda orta kaydırıcı destek kolu kanalına hizalayın

48: Lütfen adım 30a'da önceden kurulmuş olan T-Somunları kullanarak vites koluna cvataı kaydırma plakasına bakın. Diğer tarafta tekrar edin

49: Lütfen, daha önce 36a adımımda kurulmuş olan T-Somunları kullanarak koltuk kaydırıcı çapraz çubuđunun alt tarafına Bolt ButtKicker Pole resmine bakın.

50: Lütfen resme bakın - Kokpitiniz artık koltuđa monte edilmeye hazır

51: Lütfen resme bakın - Kablo klipsini kanalla hizalayın (kablo klipsi yalnızca kanalın üstünden takılabilir) Not: Klipin arka tarafındaki yer belirleyici trnađa bastırın

52: Lütfen resme bakın - Kablo klipsini yerine kaydırın

53: Lütfen resme bakın - 2 x T-Somunu orta kaydırıcı destek kolunun alt yan kanalına takın.

54: Lütfen 53. adımda önceden takılmış olan T-Somunları kullanarak Cvataı yoluyla takım tutucusuna bakın.

55: Lütfen resme bakın - Takımları takım tutucuya yerleştirin

56: Lütfen tüm uç kapaklardaki resme bakın. A: Uç kapađı ekstrüzyonun köşesine hizalayın. B: Uç kapađının ortasına bastırın ve trnađı ilk deliđe hizalayın. Ardından ikinci trnađı ikinci delikle hizalayın. C: Tamamlanmış uç kapak

KOKPİTİNİZ TAMAMLANDI Elektronik cihazlarınızı kurmanın zamanı geldi. Kurulumunuzla ilgili herhangi bir sorunuz varsa, support@nextlevelracing.com adresinden doğrudan bizimle iletişime geçebilir veya Discord veya Facebook'ta topluluđa katılabilirsiniz.

#### DOĞRUDAN VİTES MONTAJI (OPSİYONEL)

A: Lütfen resme bakın - T-Somunları büyük vites kolundaki alt kanala takın

B: Lütfen resme bakın - Büyük vites koluna uç kapakları takın

C: Lütfen resme bakın - Büyük vites kolunu koltuk braketinde istenen konumla hizalayın

D: Lütfen resme bakın - Cvataları daha önce takılmış T-Somunlarına A adımımdan vidalayın

E: Lütfen resme bakın - Vites kolunun dışındaki kanallara 4 x T-Somun takın

F: Lütfen resme bakın - Vites deđiştirme köşesi montaj braketini daha önce adım E'de takılmış olan T-Somunlarına cvatalayın

#### KOLTUK DOĞRUDAN VİTES MONTAJI (OPSİYONEL)

G: Lütfen resme bakın - Vites deđiştirme köşesi montaj braketini daha önce adım E'de takılmış olan T-Somunlarına cvatalayın

H: Lütfen resme bakın - (küçük) kaydırıcı doğrudan montaj dikey kolunda gösterildiđi gibi kanallara 2 x T-Somunu takın

I: Lütfen daha önce H adımımda takılmış olan T-somunları kullanarak, Cvataı Köşe Deđiştirici kol braketini vites koluna bakın

J: Lütfen resme bakın - Plastik kapađı takın

K: Lütfen resme bakın - 4 x T-Somunu gösterildiđi gibi kanallara takın

L: Lütfen, daha önce k adımımda takılmış olan T-somunları vites deđiştirme plakasından cvatalaı resme bakın. İsteddiğiniz açya ayarlayın ve yerine kıllitlemek için cvataları sıkın

#### TAM KOKPİT İÇİN SON RESMİNE BAKIN

SON RESMİNE BAKIN: ÇEKİŞ: F-GT Elite, 12 x 110 MM cvatalar kullanarak doğrudan Traction Plus Platformuna monte edilecektir. Alüminyum ekstrüzyonda önceden delinmiş deliklerden taban çerçevesinin önünde 6 x cvataı ve taban ekstrüzyonunda önceden delinmiş deliklerden taban çerçevesinin arkasındaki 6 x cvataı









[support@nextlevelracing.com](mailto:support@nextlevelracing.com)